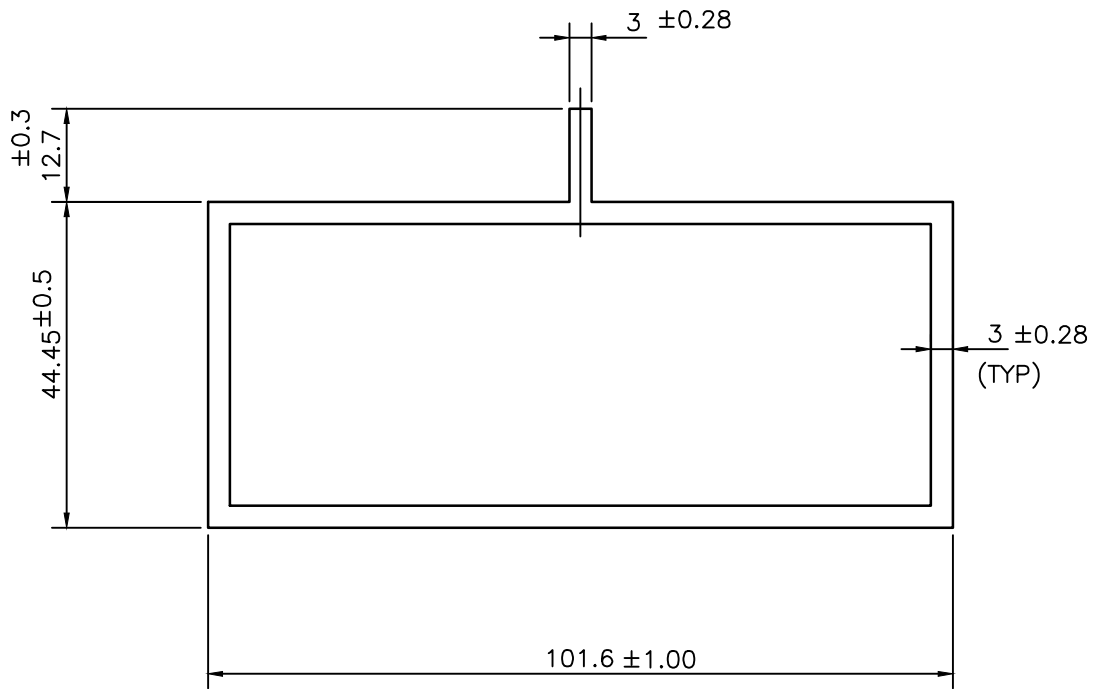



IAL-D-725
20164



 SYMBOL OF QUALITY AN ISO 9001 COMPANY	JINDAL ALUMINIUM LTD. BANGALORE-560073 (INDIA)	NAME	DATE
		DRAWN	S.K.SHARMA 14-01-2022
		CHECKED	
1. ALL DIMENSIONS ARE IN mm. 2. ROUND OFF ALL SHARP CORNERS WITH 0.40 mm. 3. TOLERANCES WILL BE AS PER IS:6477-1983 , UNLESS OTHERWISE SPECIFIED		APPROVED	
PARTY'S NAME -		SCALE	1:1
PARTY'S DRAWING No. AS PER DRAWING		AREA mm ²	878.4
ALLOY & TEMPER 6063 T6		PERIMETER mm.	317.5
DESCRIPTION PARTITION SECTION		WEIGHT kg/m	2.372
		DRAWING No.	SECTION No.
		IAL-D-725	-
		20164	20164