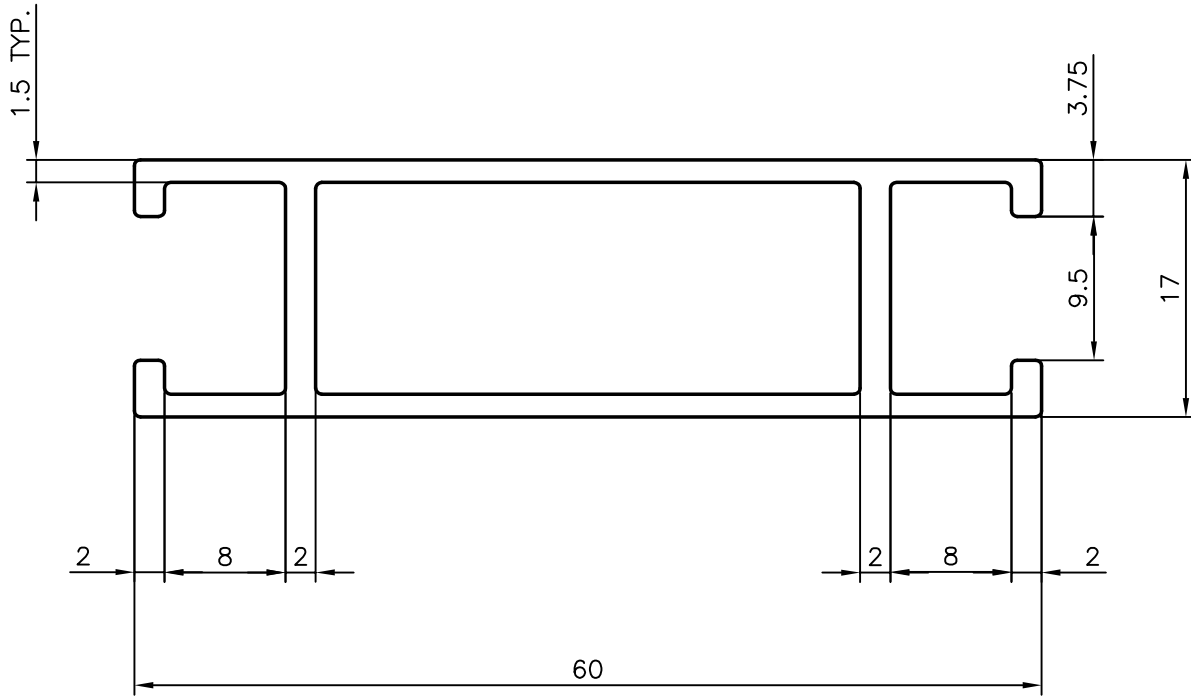



4637
11124
20358



 SYMBOL OF QUALITY AN ISO 9001 COMPANY	<b>JINDAL ALUMINIUM LTD.</b> BANGALORE-560073 (INDIA)		NAME	DATE
		DRAWN	PRASHANT	04-11-2006
1. ALL DIMENSIONS ARE IN mm. 2. ROUND OFF ALL SHARP CORNERS WITH 0.40 mm. 3. TOLERANCES WILL BE AS PER IS:6477-1983 UNLESS OTHERWISE SPECIFIED		CHECKED		
		APPROVED		
PARTY'S NAME CHICS DISPLAY SERVICES PVT LTD., MUMBAI		SCALE		2:1
		AREA mm <sup>2</sup>		254
PARTY'S DRAWING No. -		PERIMETER mm.		208.566
		WEIGHT kg/m		0.686
ALLOY & TEMPER HE9 WP		DRAWING No.		SECTION No.
		4637		4637
DESCRIPTION DISPLAY SECTION		11124		11124
		20358		20358