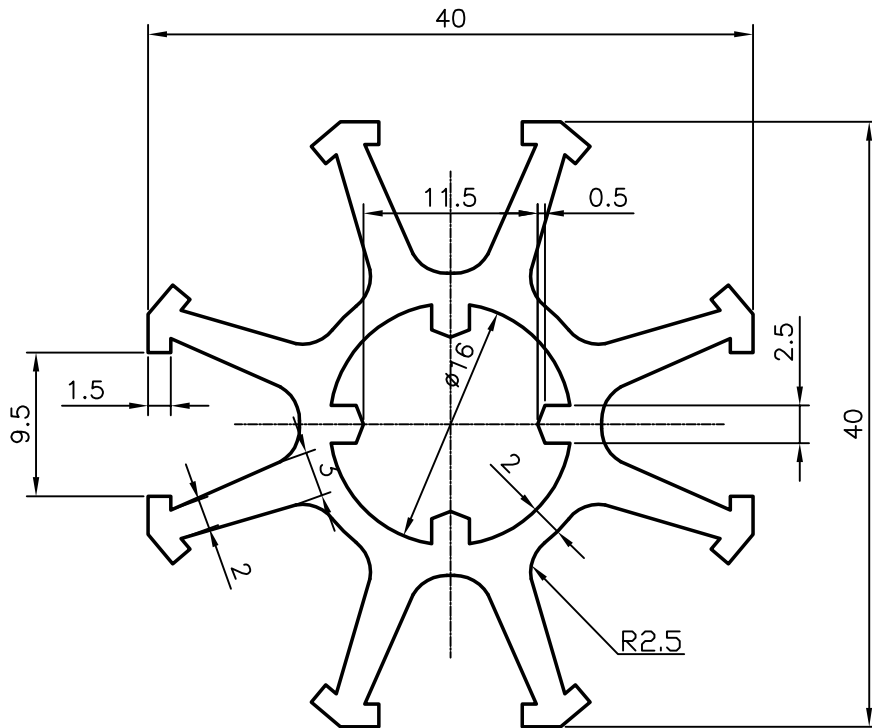
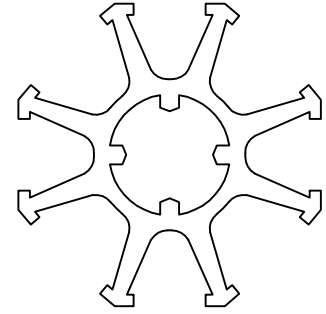



4638
11125
20359



 SYMBOL OF QUALITY AN ISO 9001 COMPANY	JINDAL ALUMINIUM LTD. BANGALORE-560073 (INDIA)	NAME		DATE
		DRAWN	PRASHANT	
1. ALL DIMENSIONS ARE IN mm. 2. ROUND OFF ALL SHARP CORNERS WITH 0.40 mm. 3. TOLERANCES WILL BE AS PER UNLESS OTHERWISE SPECIFIED		CHECKED		
		APPROVED		
PARTY'S NAME CHICKS DISPLAY SERVICES PVT. LTD, MUMBAI		SCALE		
		AREA mm ²		
PARTY'S DRAWING No. 'B' PART NO. 3		PERIMETER mm.		
		WEIGHT kg/m		
ALLOY & TEMPER HE9 WP		DRAWING No.	SECTION No.	
		4638	4638	
DESCRIPTION DISPLAY SECTION		11125	11125	
		20359	20359	