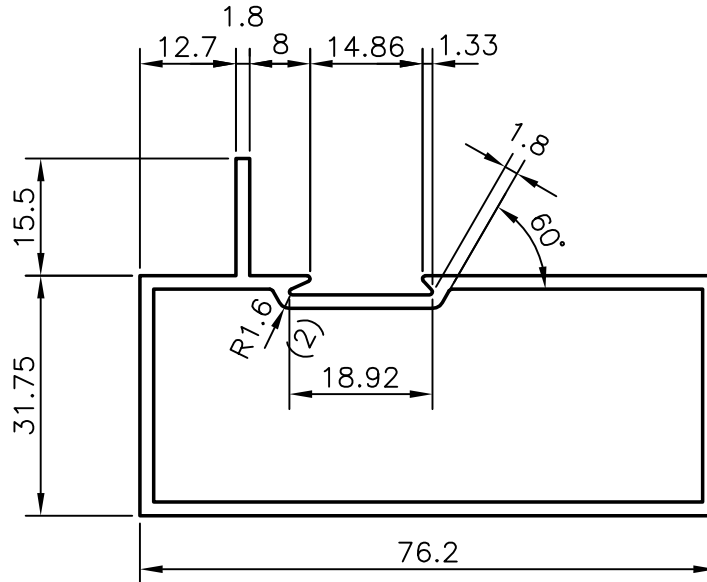


4645

11091

20362



1. GENERAL WALL THICKNESS 1.80 mm. UNLESS OTHERWISE SPECIFIED

JINDAL ALUMINIUM LTD.
BANGALORE-560073

		NAME	DATE
		DRAWN	R.D.Sharma
1. ALL DIMENSIONS ARE IN mm. 2. ROUND OFF ALL SHARP CORNERS WITH 0.4 mm. 3. TOLERANCES WILL BE AS PER IS: 6477-1983 ,UNLESS OTHERWISE SPECIFIED		CHECKED	
		APPROVED	
PARTY'S NAME	VIDYASAGAR MARKETING ASSOCIATES, SECUNDERABAD	SCALE	1:1
PARTY'S DRAWING No.	-	WEIGHT kg/m	1.153
ALLOY & TEMPER	HE9 WP	SECTION No.	20362
LENGTH	3658 mm.	DRAWING No.	
DESCRIPTION	DOOR SECTION	20362	