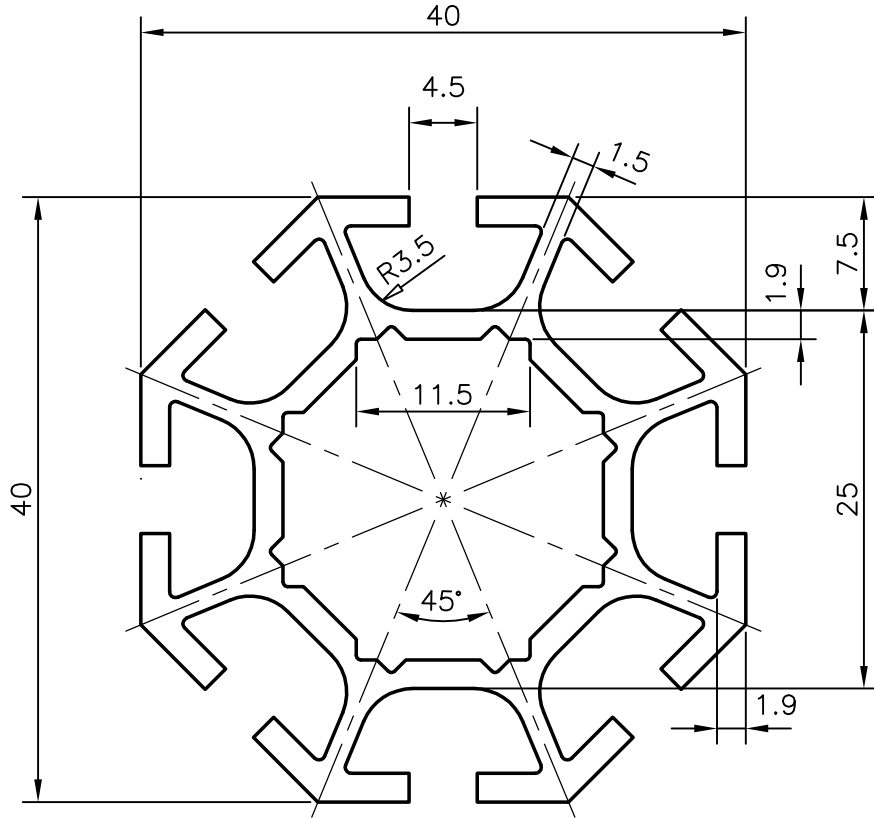
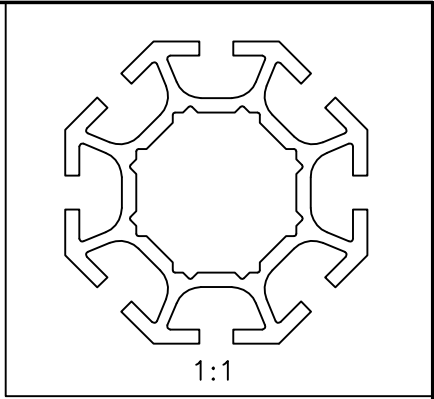


4697
11137
20368



Perimeter = 349.2995 mm.

**JINDAL ALUMINIUM LTD.**  
BANGALORE-560073

	NAME	DATE
DRAWN	R.D.Sharma	09-06-98

1. ALL DIMENSIONS ARE IN mm.
2. ROUND OFF ALL SHARP CORNERS WITH 0.4 mm.
3. TOLERANCES WILL BE AS PER IS: 6477-1983 ,UNLESS OTHERWISE SPECIFIED

CHECKED		
APPROVED		

PARTY'S NAME	GENERAL CATEGORY	SCALE	2:1
PARTY'S DRAWING No.	NIL	WEIGHT kg/m	1.058
ALLOY & TEMPER	HE9 WP	SECTION No.	20368
LENGTH	3658 mm.	DRAWING No.	20368
DESCRIPTION	DISPLAY SECTION		