

P-4637

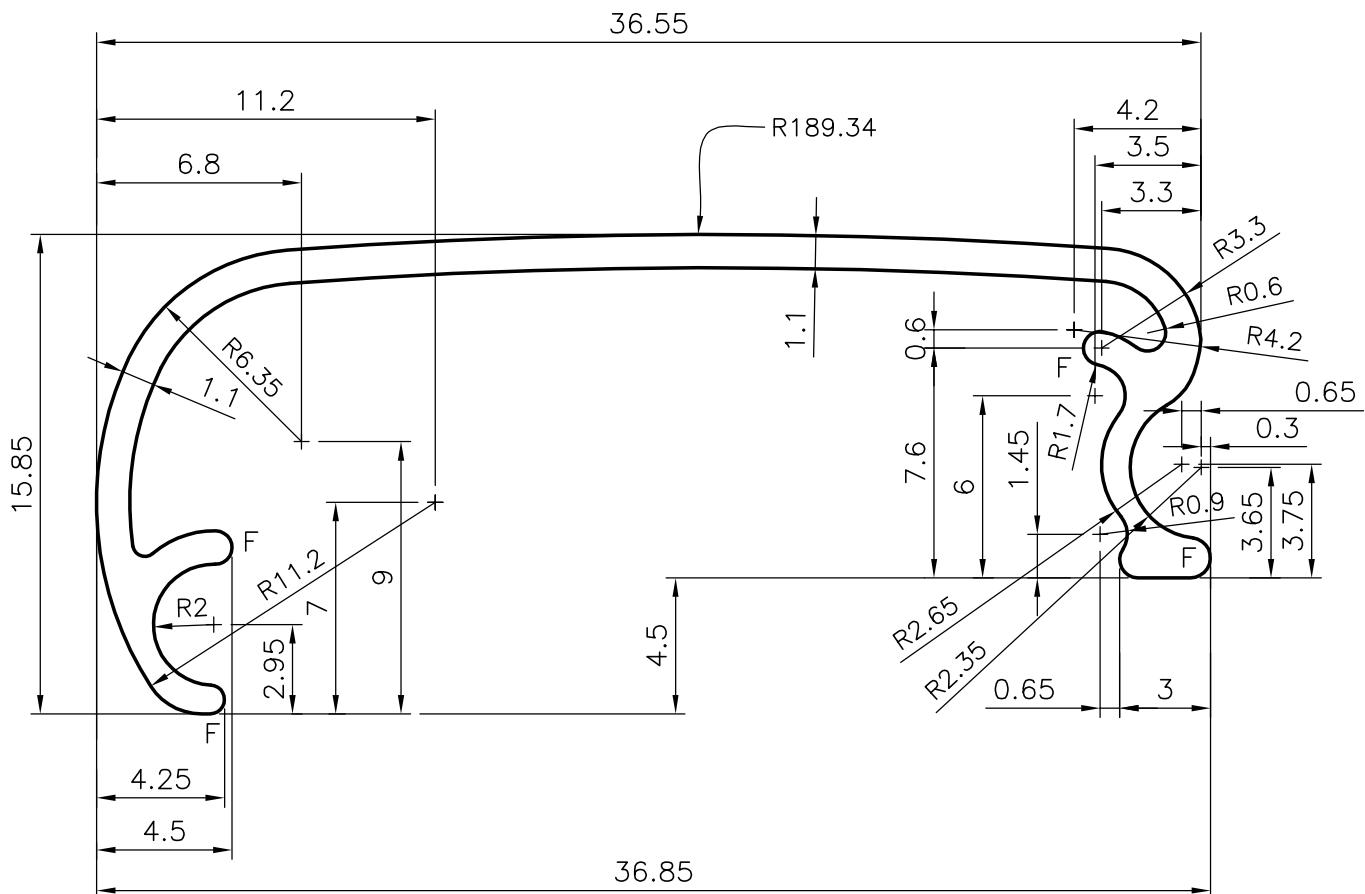
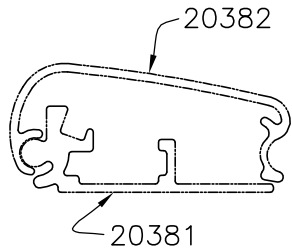
7111

20382

MATCHING SECTION  
SCALE 1:1



SCALE 1:1



F= FULL RADIUS (4 PLACES)



SYMBOL OF QUALITY  
AN ISO 9002 COMPANY

**JINDAL ALUMINIUM LTD.**  
BANGALORE-560073 (INDIA)

	NAME	DATE
DRAWN	RAGHAVENDRA	31-12-2003
CHECKED		
APPROVED		

1. ALL DIMENSIONS ARE IN mm.
2. ROUND OFF ALL SHARP CORNERS WITH 0.40 mm.
3. TOLERANCES WILL BE AS PER IS: 3965-1981 UNLESS OTHERWISE SPECIFIED

SCALE	4:1 & 1:1
AREA mm <sup>2</sup>	72.45
PERIMETER mm.	130.65
WEIGHT kg/m	0.196

PARTY'S NAME	GENERAL CATEGORY,. BANGALORE MARKET
PARTY'S DRAWING No.	AS PER DRAWING
ALLOY & TEMPER	HE9 WP
DESCRIPTION	DISPLAY SECTION

DRAWING No.	SECTION No.
P-4637	-
7111	7111
20382	20382