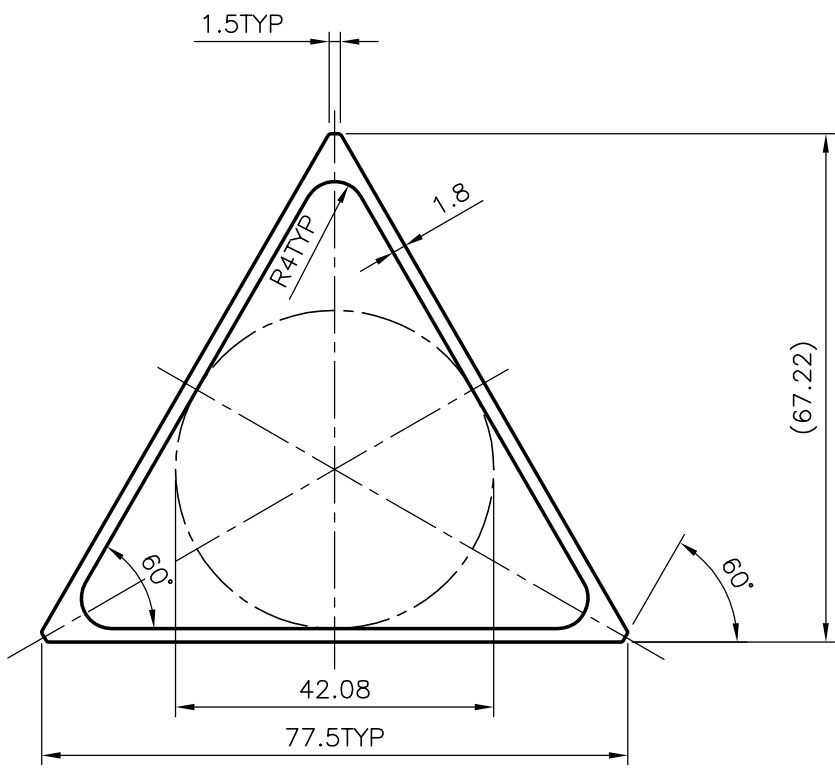


P-3519  
 X210  
 7133  
 20383



**JINDAL ALUMINIUM LTD.**  
 BANGALORE-560073 (INDIA)

	NAME	DATE
DRAWN	RAGHAVENDRA	08-09-01
CHECKED		
APPROVED		

1. ALL DIMENSIONS ARE IN mm.
2. ROUND OFF ALL SHARP CORNERS WITH 0.40 mm.
3. TOLERANCES WILL BE AS PER IS: 6477-1981 UNLESS OTHERWISE SPECIFIED

SCALE	1:1
WEIGHT kg/m	1.188
PERIMETER	232.61mm
SECTION No.	20383
DRAWING No.	20383

PARTY'S NAME	SIGNCOM , BANGALORE
PARTY'S DRAWING No.	AS PER SPECIFICATION
ALLOY & TEMPER	HE9 WP
DESCRIPTION	MISC TUBE