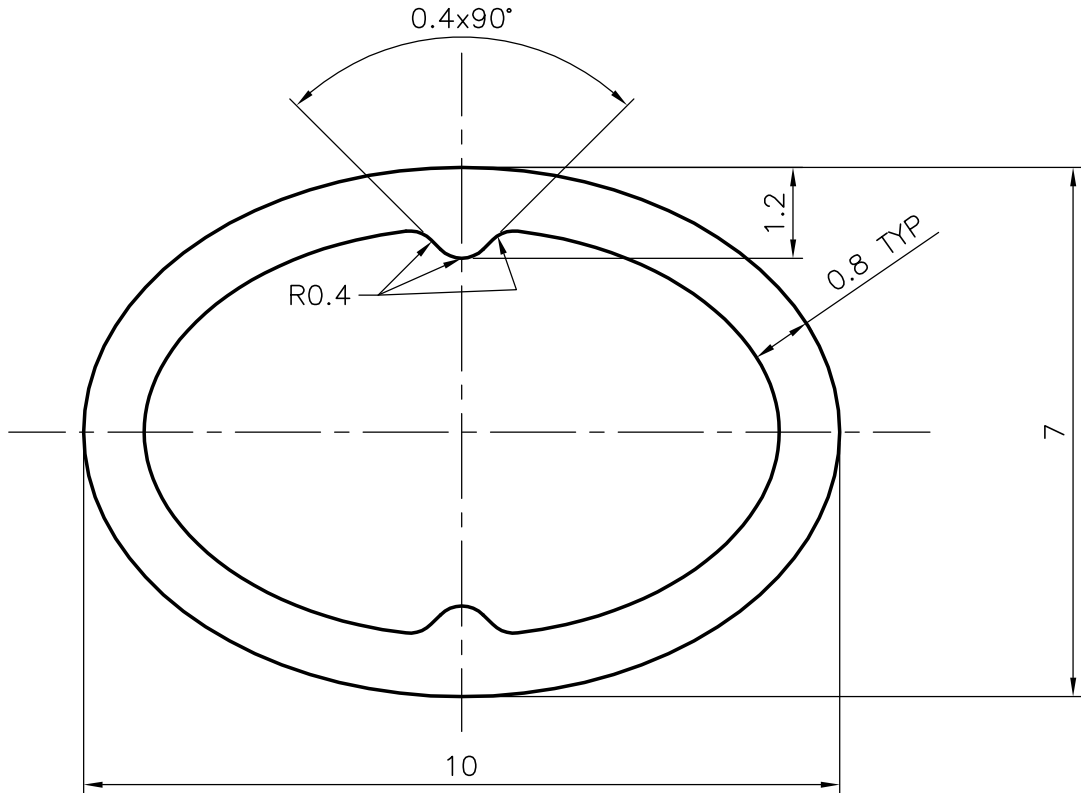


P-3318
 X190
 8247
 20419



SCALE 1:1



GENERAL WALL THICKNESS :- 0.8MM



SYMBOL OF QUALITY
 AN ISO 9002 COMPANY

JINDAL ALUMINIUM LTD.
 BANGALORE-560073 (INDIA)

	NAME	DATE
DRAWN	RANGASWAMY	23-07-01
CHECKED		
APPROVED		
SCALE	10:1 & 1:1	
WEIGHT kg/m	0.054	
SECTION No.	20419	
DRAWING No.	20419	

1. ALL DIMENSIONS ARE IN mm.
2. ROUND OFF ALL SHARP CORNERS WITH 0.40 mm.
3. TOLERANCES WILL BE AS PER I.S 6477-1983 UNLESS OTHERWISE SPECIFIED

PARTY'S NAME	ADMIRE SIGN & DISPLAY PVT LTD,. SILVASSA
PARTY'S DRAWING No.	AS PER SAMPLE
ALLOY & TEMPER	HE9 WP
DESCRIPTION	-