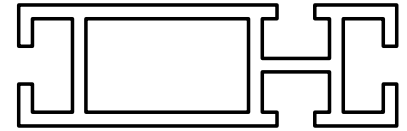
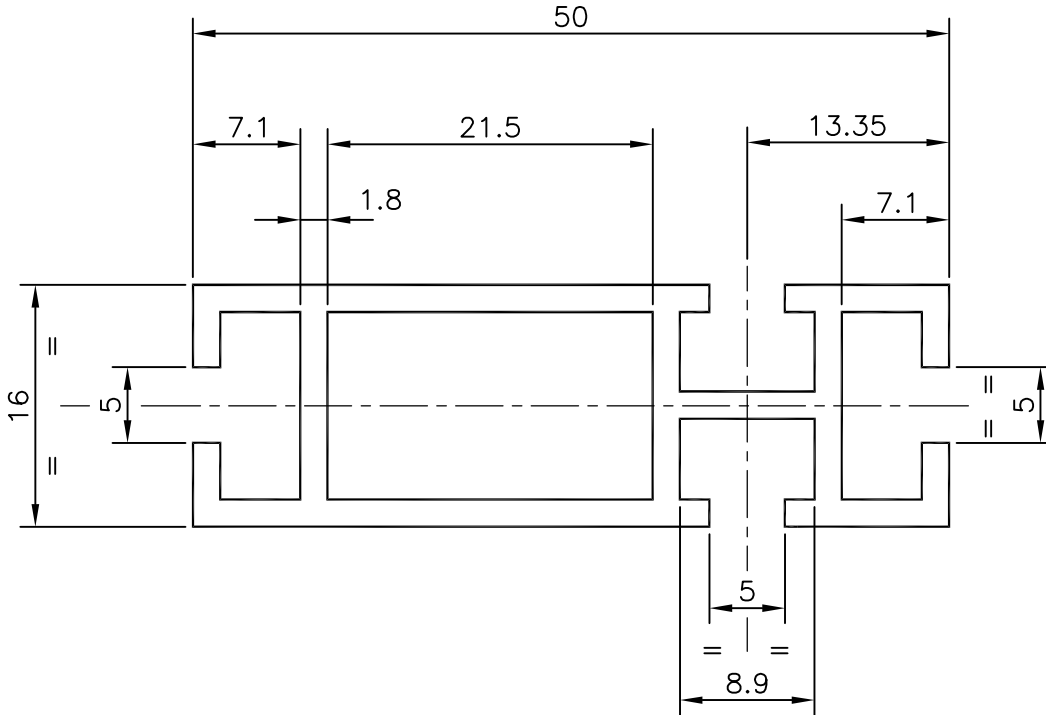


8969
12528
20430



1:1



GENERAL WALL THICKNESS :- 1.8 mm

JINDAL ALUMINIUM LTD.
BANGALORE-560073

	NAME	DATE
DRAWN	D.SRIVASTAVA	23-09-98

1. ALL DIMENSIONS ARE IN mm.
2. ROUND OFF ALL SHARP CORNERS WITH 0.4 mm.
3. TOLERANCES WILL BE AS PER IS: 6477-1983 ,UNLESS OTHERWISE SPECIFIED

CHECKED		
APPROVED		

PARTY'S NAME	GENERAL CATEGORY	SCALE	1:1 & 2:1
PARTY'S DRAWING No.	AS PER SAMPLE	WEIGHT kg/m	0.733
ALLOY & TEMPER	HE9 WP	SECTION No.	20430
LENGTH	3658 mm.	DRAWING No.	
DESCRIPTION	ARCHITECTURAL MISCELLANEOUS	20430	