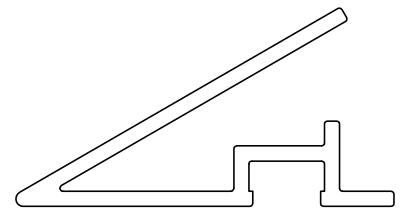
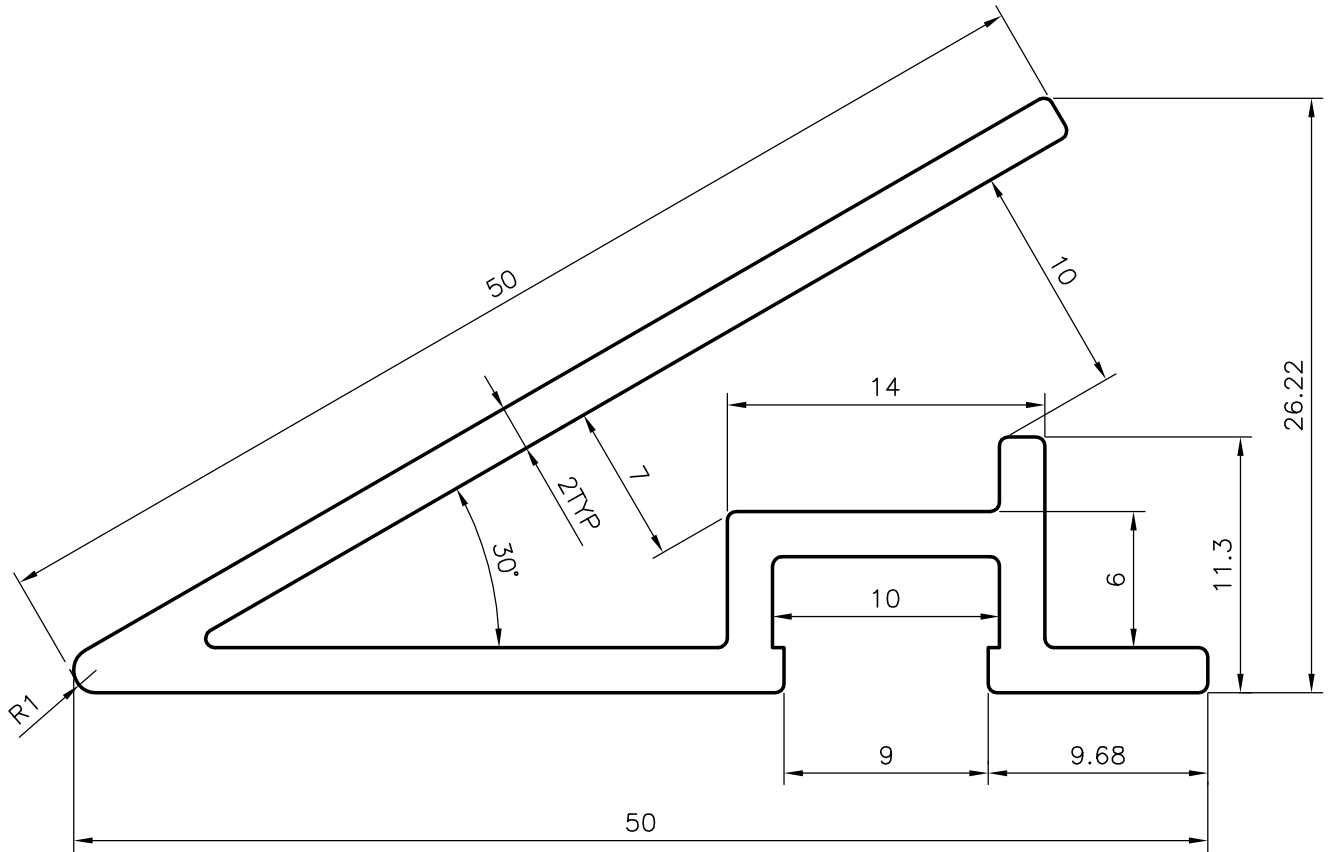


P-4956

20445



SCALE 1:1



GENERAL WALL THICKNESS = 2.00mm



SYMBOL OF QUALITY
AN ISO 9002 COMPANY

JINDAL ALUMINIUM LTD.
BANGALORE-560073 (INDIA)

	NAME	DATE
DRAWN	RAGHAVENDRA	06-07-2004
CHECKED		
APPROVED		

1. ALL DIMENSIONS ARE IN mm.
2. ROUND OFF ALL SHARP CORNERS WITH 0.40 mm.
3. TOLERANCES WILL BE AS PER BS:1474-1987 UNLESS OTHERWISE SPECIFIED

SCALE	3:1
AREA mm ²	226.404
PERIMETER mm.	223.389
WEIGHT kg/m	0.611

PARTY'S NAME	JOSEPH INDUSTRIES, DUBAI	DRAWING No.	P-4956	SECTION No.	-
PARTY'S DRAWING No.	AS PER DRAWING		20445		20445
ALLOY & TEMPER	6063 T6				
DESCRIPTION	DISPLAY SECTION				