

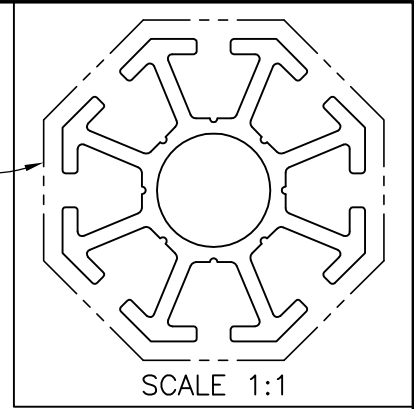
P-3816

X246

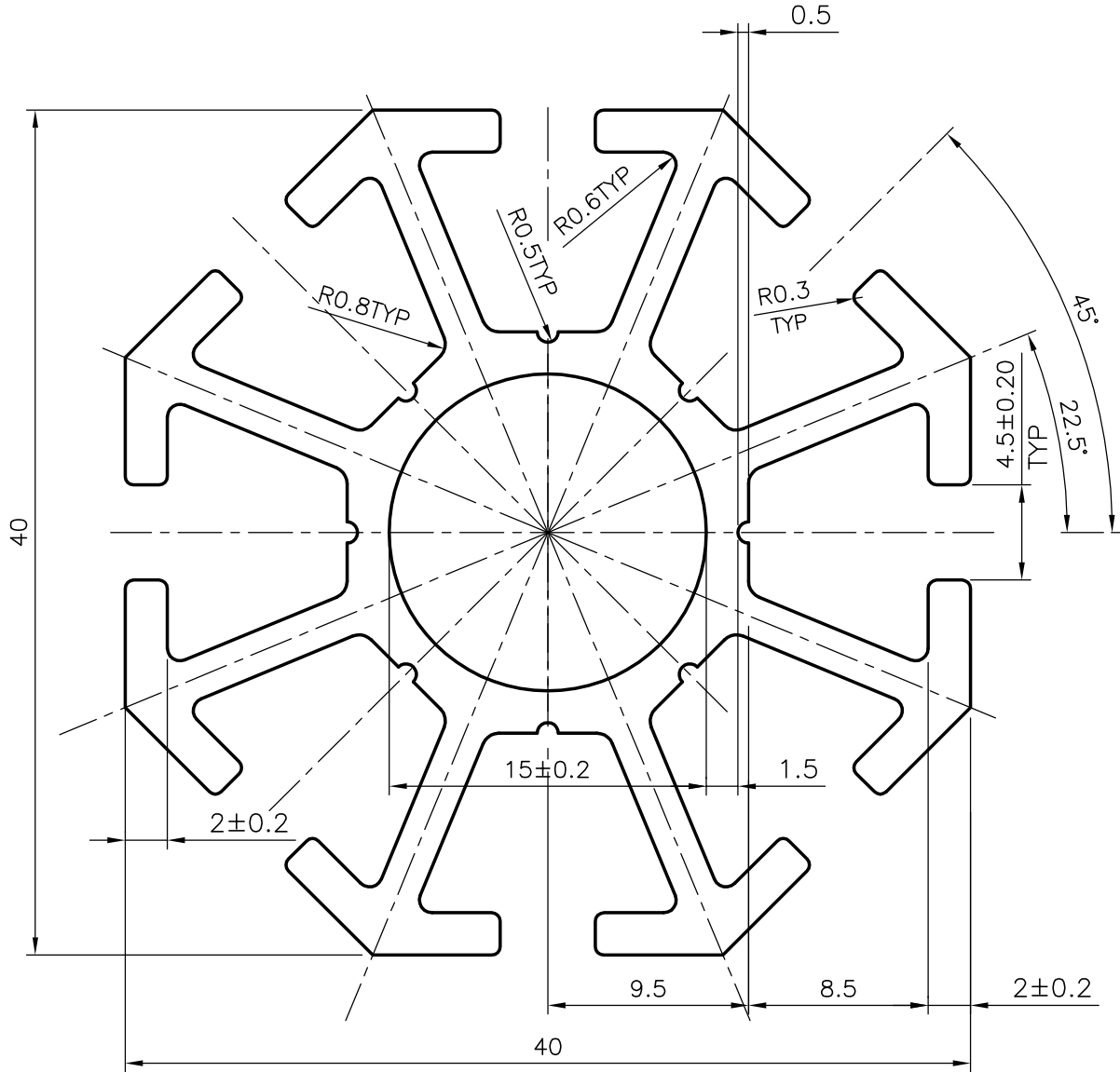
20450

1. GENERAL WALL THICKNESS = 2 ± 0.2

EXPOSED SURFACE



SCALE 1:1



40

0.5

15 ± 0.2

1.5

2 ± 0.2

40

9.5

8.5

2 ± 0.2

R0.8 TYP

R0.5 TYP

R0.6 TYP

R0.3 TYP

4.5 ± 0.20 TYP

45°

22.5°



SYMBOL OF QUALITY
AN ISO 9002 COMPANY

JINDAL ALUMINIUM LTD.
BANGALORE-560073 (INDIA)

	NAME	DATE
DRAWN	RAGHAVENDRA	21-03-02
CHECKED		
APPROVED		

1. ALL DIMENSIONS ARE IN mm.
2. ROUND OFF ALL SHARP CORNERS WITH 0.40 mm.
3. TOLERANCES WILL BE AS PER IS 6477-1983 UNLESS OTHERWISE SPECIFIED

SCALE	3:1 & 1:1
AREA mm ²	448.93
PERIMETER	374.53mm

PARTY'S NAME	MEROFORM INDIA PVT LTD , NOIDA
PARTY'S DRAWING No.	AS PER DRAWING (MBN 8008)
ALLOY & TEMPER	HE9 WP (Al Mg Si 0.5 F-22)
DESCRIPTION	DISPLAY SECTION

WEIGHT kg/m	1.212
SECTION No.	20450
DRAWING No.	20450