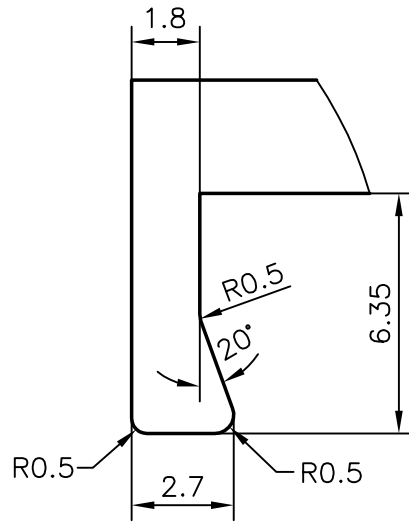


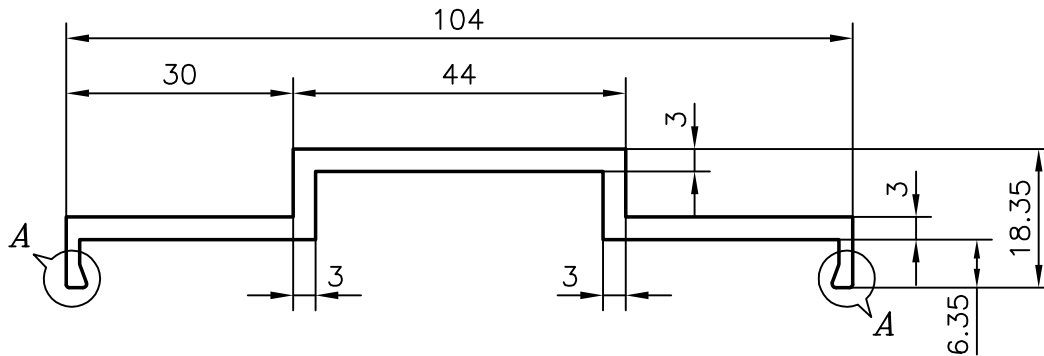
4731

10655

20515

DETAIL AT "A" (TYP.)

SCALE :-5:1

**JINDAL ALUMINIUM LTD.****BANGALORE-560073**

NAME

DATE

DRAWN

R.D.Sharma

05-06-96

1. ALL DIMENSIONS ARE IN mm.
2. ROUND OFF ALL SHARP CORNERS WITH 0.4 mm.
3. TOLERANCES WILL BE AS PER IS: 3965-1981 ,UNLESS OTHERWISE SPECIFIED

CHECKED

APPROVED

PARTY'S NAME

-

SCALE

1:1 & 5:1

PARTY'S DRAWING No.

-

WEIGHT kg/m

1.056

ALLOY & TEMPER

HE9 WP

SECTION No.

20515

LENGTH

3658 mm.

DRAWING No.

DESCRIPTION

WINDOW SECTION

20515