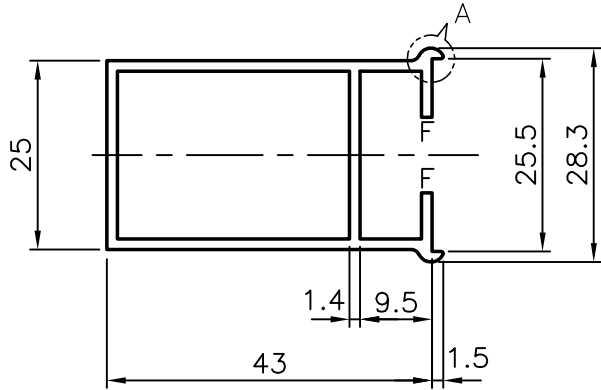
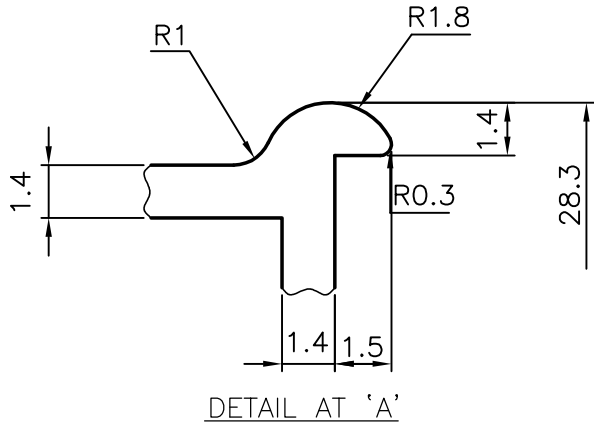





4737
12258
20516



 SYMBOL OF QUALITY AN ISO 9002 COMPANY	JINDAL ALUMINIUM LTD. BANGALORE-560073 (INDIA)			NAME	DATE
				DRAWN	R.D.SHARMA
1. ALL DIMENSIONS ARE IN mm 2. ROUND OFF SHARP CORNERS WITH 0.4mm R 3. TOLERANCES WILL BE AS PER IS : 3965-1981				CHECKED	
				APPROVED	
				SCALE	1:1 & 5:1
PARTY'S NAME	-			WEIGHT kg/m	0.560
PARTY'S DRAWING No.	-	FINISH	-	SECTION No.	 20516
ALLOY & TEMPER	HE 9 WP	LENGTH:	3658mm	DRAWING No.	 20516
DESCRIPTION	WINDOW SECTION				