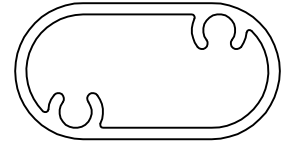


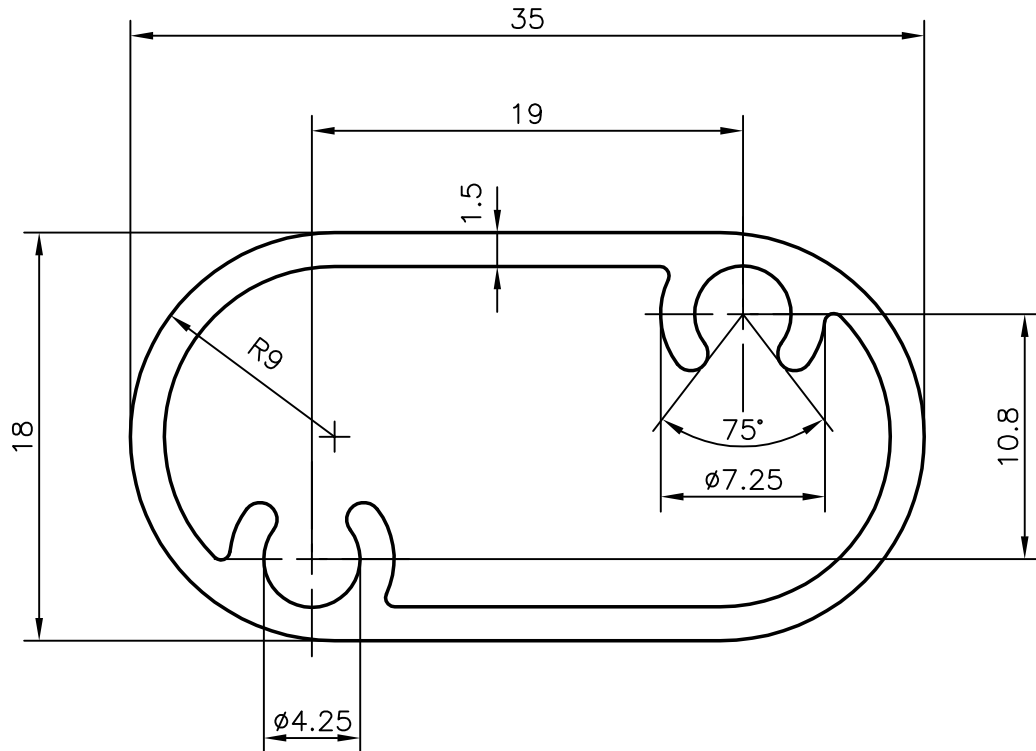
4785

10657

20527



1:1



GENERAL WALL THICKNESS:- 1.50 mm.

JINDAL ALUMINIUM LTD.**BANGALORE-560073**

NAME

DATE

DRAWN

R.D.Sharma

03-09-96

CHECKED

APPROVED

1. ALL DIMENSIONS ARE IN mm.
2. ROUND OFF ALL SHARP CORNERS WITH 0.4 mm.
3. TOLERANCES WILL BE AS PER IS: 6477-1983 ,UNLESS OTHERWISE SPECIFIED

PARTY'S NAME

-

SCALE

1:1 & 3:1

PARTY'S DRAWING No.

-

WEIGHT kg/m

0.408

ALLOY & TEMPER

HE9 WP

SECTION No.

20527

LENGTH

3658 mm.

DRAWING No.

DESCRIPTION

WINDOW SECTION

20527