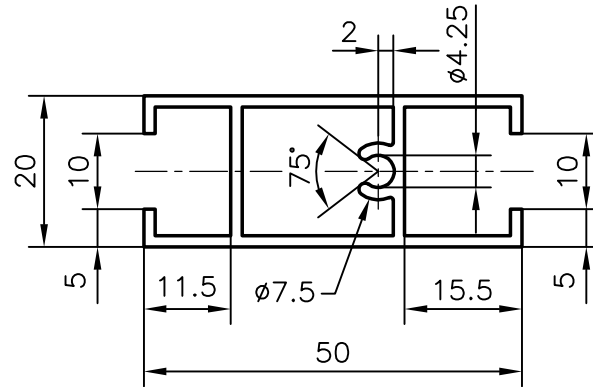


8304

12201

20529



GENERAL WALL THICKNESS:- 1.50 mm.

JINDAL ALUMINIUM LTD.
BANGALORE-560073

		NAME	DATE
		DRAWN	R.D.Sharma 12-01-96
1. ALL DIMENSIONS ARE IN mm. 2. ROUND OFF ALL SHARP CORNERS WITH 0.4 mm. 3. TOLERANCES WILL BE AS PER IS: 6477-1983 ,UNLESS OTHERWISE SPECIFIED		CHECKED	
		APPROVED	
PARTY'S NAME	-	SCALE	1:1
PARTY'S DRAWING No.	-	WEIGHT kg/m	0.642
ALLOY & TEMPER	HE9 WP	SECTION No.	20529
LENGTH	3658 mm.	DRAWING No.	20529
DESCRIPTION	WINDOW SECTION		