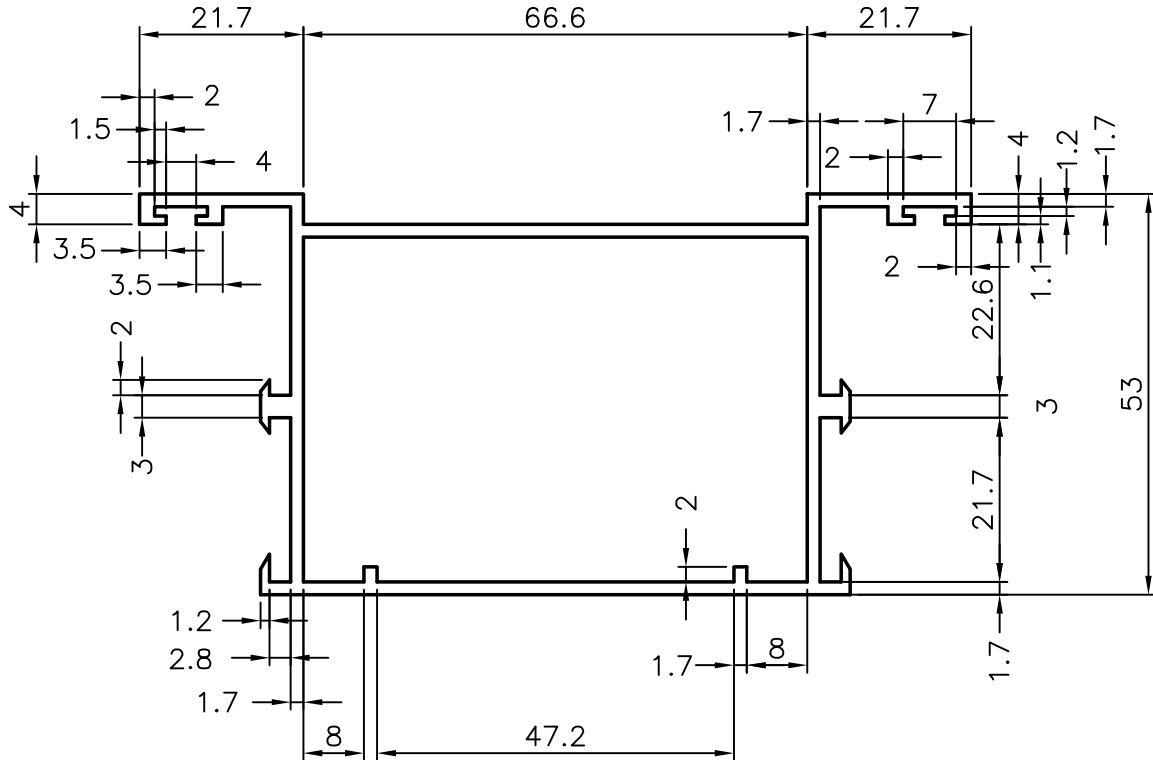


8318

12452

20538



JINDAL ALUMINIUM LTD.

BANGALORE-560073

NAME

DATE

DRAWN

R.D.Sharma

07-02-96

CHECKED

APPROVED

1. ALL DIMENSIONS ARE IN mm.
2. ROUND OFF ALL SHARP CORNERS WITH 0.4 mm.
3. TOLERANCES WILL BE AS PER IS: 6477-1983 ,UNLESS OTHERWISE SPECIFIED

PARTY'S NAME KUWAIT ALUMINIUM

SCALE

1:1

PARTY'S DRAWING No. -

WEIGHT kg/m

1.530

ALLOY & TEMPER HE9 WP

SECTION No.

20538

LENGTH -

DRAWING No.

DESCRIPTION WINDOW SECTION

20538