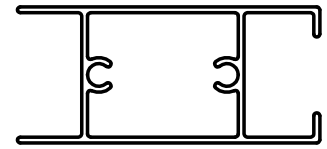


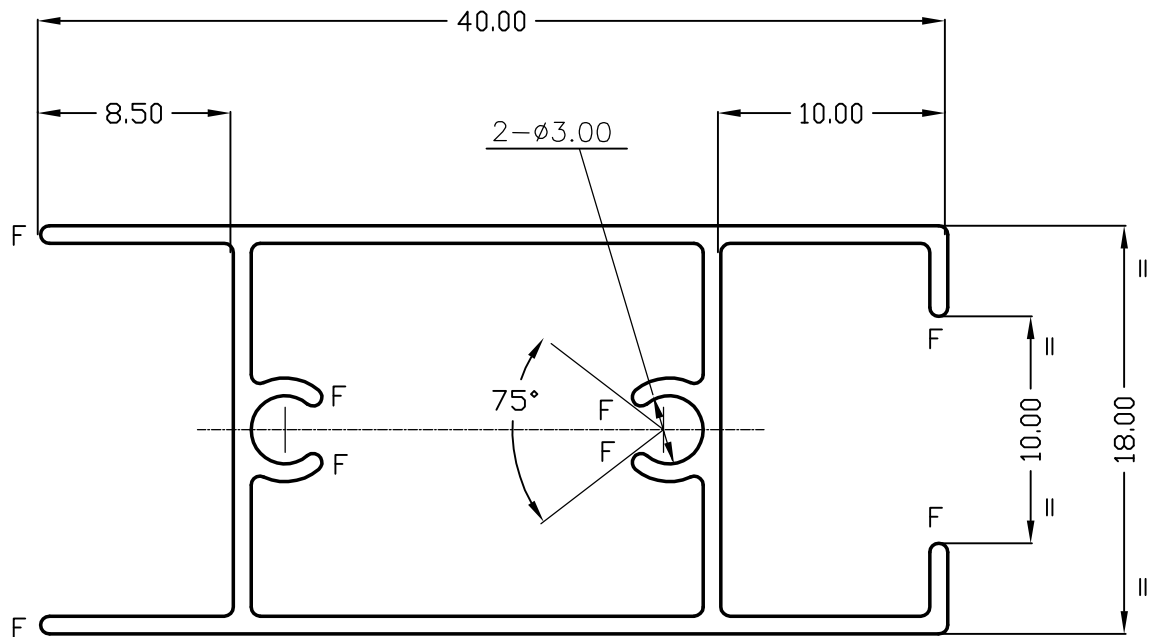
8116

12005

20545



1:1



1. GENERAL WALL THICKNESS :- 0.785 mm.
2. 3658 mm. LONG PIECES IN 100 kgs. :- 95 (AVERAGE)

F = RADII FULL (8)

JINDAL ALUMINIUM LTD.**BANGALORE-560073**

NAME

DATE

DRAWN

P,KULKARNI

9-5-99

1. ALL DIMENSIONS ARE IN mm.
2. ROUND OFF ALL SHARP CORNERS WITH 0.4 mm.
3. TOLERANCES WILL BE AS PER IS: 6477-1983 UNLESS OTHERWISE SPECIFIED

CHECKED

APPROVED

PARTY'S NAME

GENERAL CATEGORY (MUMBAI MARKET)

SCALE

3:1

PARTY'S DRAWING No.

-

WEIGHT kg/m

0.288

ALLOY & TEMPER

HE9 WP

SECTION No.

20545

LENGTH

3658 mm.

DRAWING No.

DESCRIPTION

WINDOW SECTION

20545