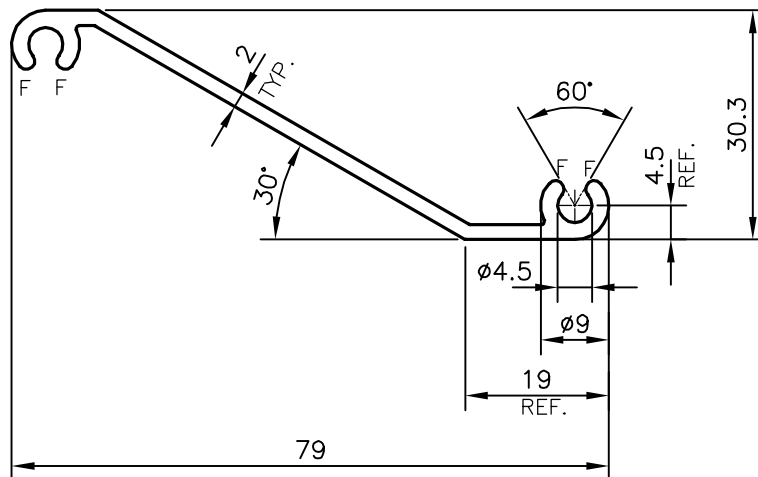


8436

12458

20552



F = FULL RADIUS (4 PLACES)



SYMBOL OF QUALITY
AN ISO 9001 COMPANY

JINDAL ALUMINIUM LTD.
BANGALORE-560073 (INDIA)

	NAME	DATE
DRAWN	PARVESH	07-05-2015
CHECKED		
APPROVED	S.S.GARG	07-05-2015

1. ALL DIMENSIONS ARE IN mm.
2. ROUND OFF ALL SHARP CORNERS WITH 0.40 mm.
3. TOLERANCES WILL BE AS PER IS:3965-1981 , UNLESS OTHERWISE SPECIFIED

SCALE	1:1
AREA mm ²	221.994
PERIMETER mm.	213.399
WEIGHT kg/m	0.599

PARTY'S NAME NAKIL ALUMINIUM CO. UAE

PARTY'S DRAWING No. 1095 P.T.

ALLOY & TEMPER HE9 WP

DESCRIPTION LOUVER SECTION

DRAWING No.	SECTION No.
8436	8436
12458	12458
20552	20552