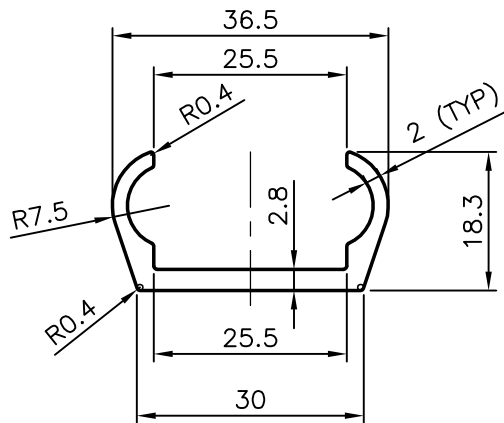



8679
12472
20611



 SYMBOL OF QUALITY AN ISO 9001 COMPANY	<b>JINDAL ALUMINIUM LTD.</b> BANGALORE-560073 (INDIA)	NAME		DATE
		DRAWN	PRASANN.H	27-01-2007
1. ALL DIMENSIONS ARE IN mm. 2. ROUND OFF ALL SHARP CORNERS WITH 0.4 mm. 3. TOLERANCES WILL BE AS PER IS:3965-1981 UNLESS OTHERWISE SPECIFIED		CHECKED		
		APPROVED		
PARTY'S NAME		SCALE		1:1
		AREA mm <sup>2</sup>		167.587
PARTY'S DRAWING No.		PERIMETER mm.		134.02
		WEIGHT kg/m		0.452
ALLOY & TEMPER		DRAWING No.	SECTION No.	
		8679	8679	
DESCRIPTION		12472	12472	
		20611	20611	
WINDOW SECTION				