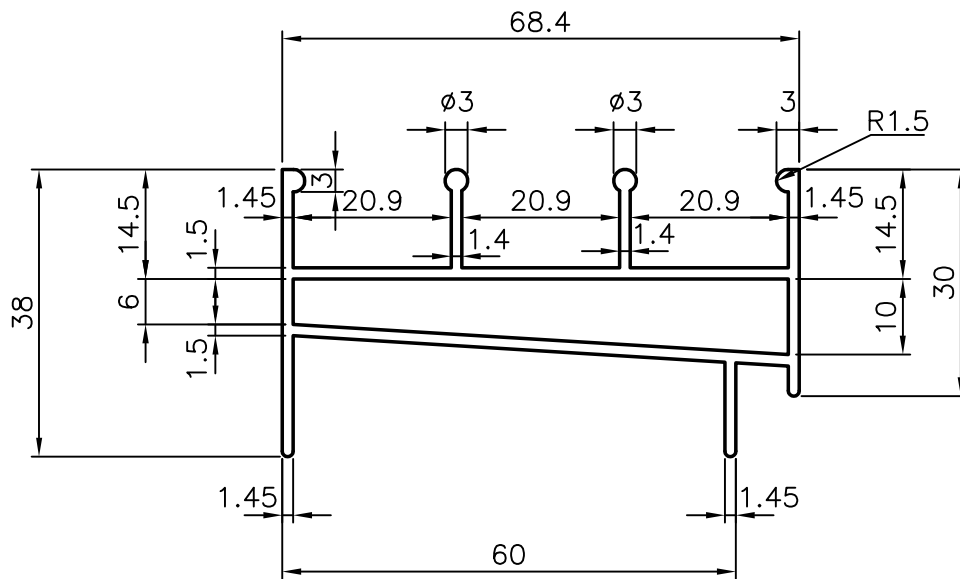


8686

11887

20618



SYMBOL OF QUALITY
AN ISO 9002 COMPANY

JINDAL ALUMINIUM LTD.
BANGALORE-560073 (INDIA)

NAME

DATE

DRAWN

S.KUMAR

25-3-83

CHECKED

APPROVED

SCALE

1:1

PARTY'S NAME

-
COCHIN

WEIGHT kg/m

0.980

PARTY'S DRAWING No.

-

FINISH

-

SECTION No.

20618

ALLOY & TEMPER

HE 9 WP

LENGTH:

3658mm

DRAWING No.

20618

DESCRIPTION

WINDOW SECTION