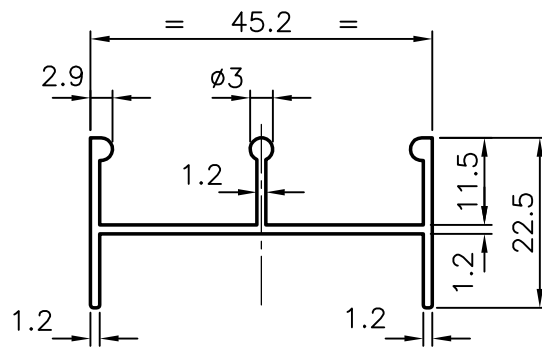



8693

11885

20624



 SYMBOL OF QUALITY AN ISO 9002 COMPANY	JINDAL ALUMINIUM LTD. BANGALORE-560073 (INDIA)				NAME	DATE
				DRAWN	R.D SHARMA	24-7-84
1. ALL DIMENSIONS ARE IN mm 2. ROUND OFF SHARP CORNERS WITH 0.4mm R 3. TOLERANCES WILL BE AS PER IS : 3965-1981				CHECKED		
				APPROVED		
				SCALE	1:1	
PARTY'S NAME	-			WEIGHT kg/m	0.353	
PARTY'S DRAWING No.	-	FINISH	-	SECTION No.	20624	
ALLOY & TEMPER	HE 9 WP	LENGTH:	3658mm.	DRAWING No.		
DESCRIPTION	WINDOW SECTION			20624		