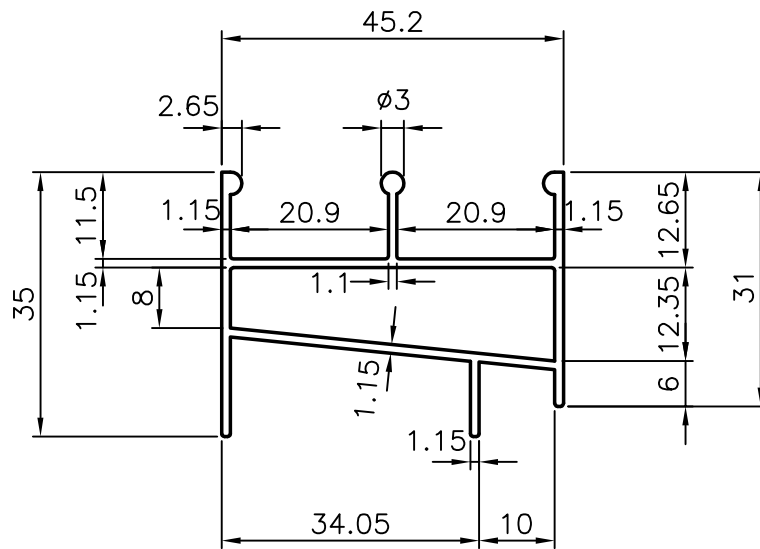


8696

11959

20626



WEIGHT/3658 mm = 2 kgs.



SYMBOL OF QUALITY
AN ISO 9002 COMPANY

JINDAL ALUMINIUM LTD.
BANGALORE-560073 (INDIA)

NAME

DATE

DRAWN

S.KUMAR

25-7-84

CHECKED

APPROVED

SCALE

1:1

PARTY'S NAME

-

WEIGHT kg/m

0.567

PARTY'S DRAWING No.

-

FINISH

-

SECTION No.

20626

ALLOY & TEMPER

HE 9 WP

LENGTH:

3658mm.

DRAWING No.

20626

DESCRIPTION

WINDOW SECTION