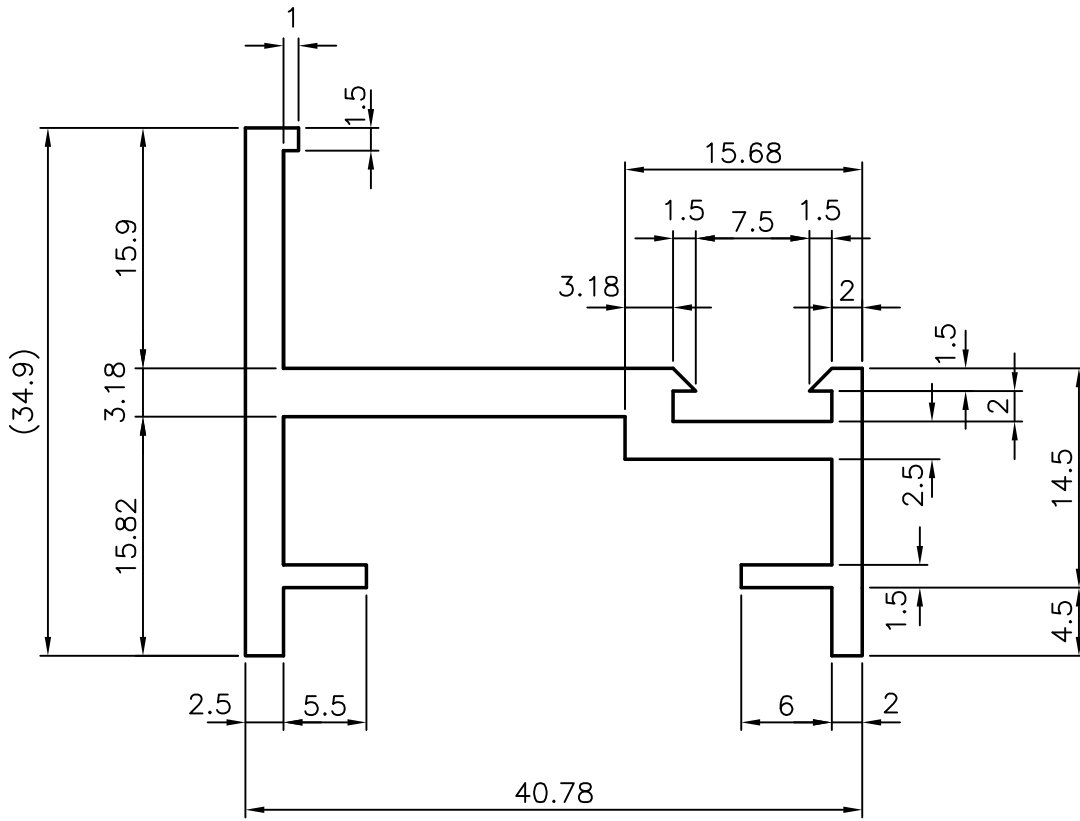
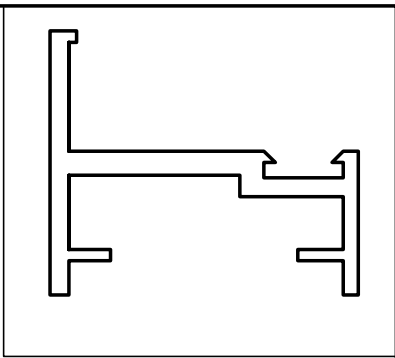



8699
11823
20629



 SYMBOL OF QUALITY AN ISO 9002 COMPANY	JINDAL ALUMINIUM LTD. BANGALORE-560073 (INDIA)				NAME	DATE
				DRAWN	S.P.SHARMA	13-9-84
1. ALL DIMENSIONS ARE IN mm 2. ROUND OFF SHARP CORNERS WITH 0.4mm R 3. TOLERANCES WILL BE AS PER IS : 3965-1981				CHECKED		
				APPROVED		
				SCALE	2:1	
PARTY'S NAME	-			WEIGHT kg/m	0.711	
PARTY'S DRAWING No.	MH/118	FINISH	-	SECTION No.	20629 20629	
ALLOY & TEMPER	HE 9 WP	LENGTH:	3658mm.	DRAWING No.	20629 20629	
DESCRIPTION	WINDOW SECTION					