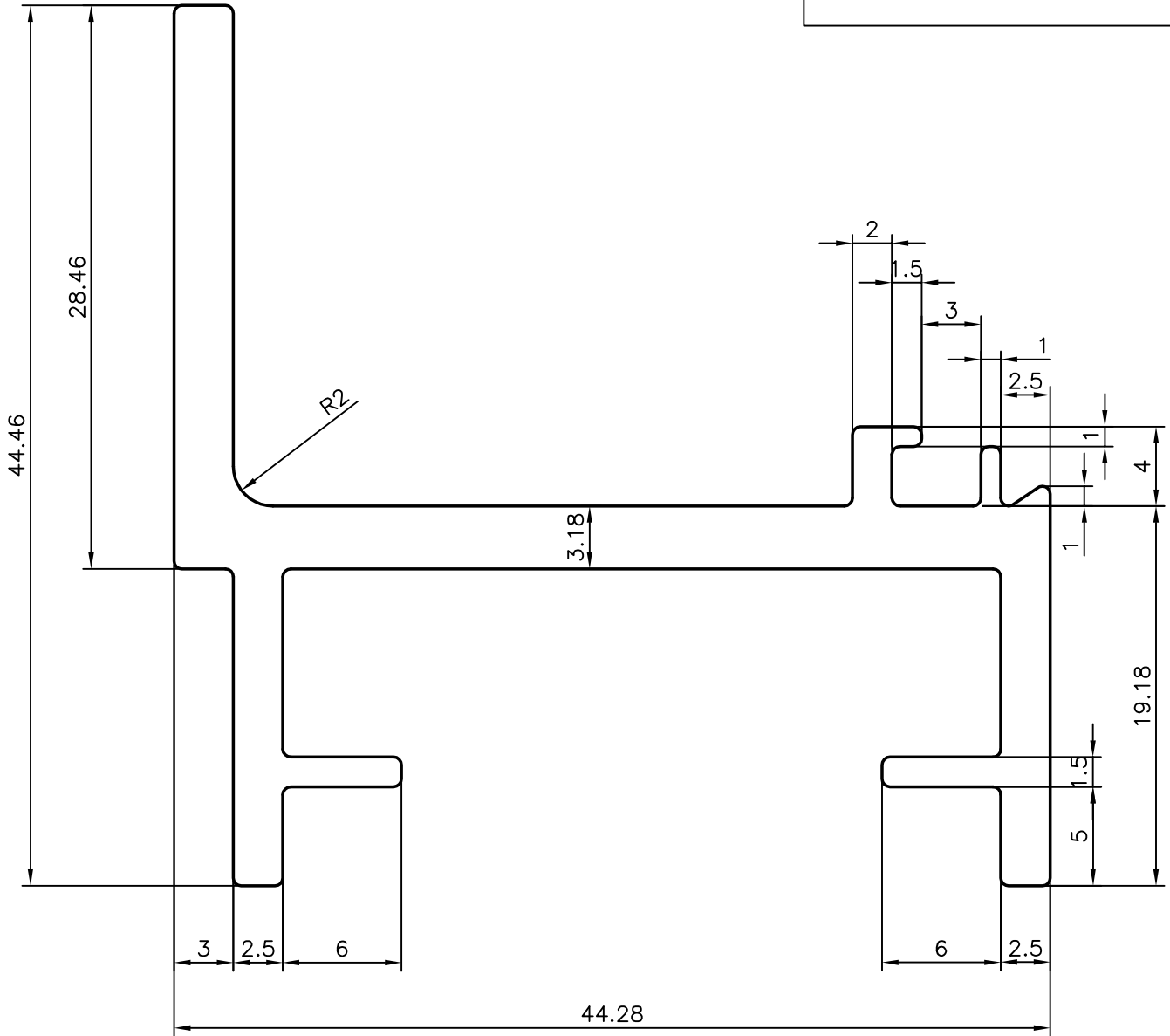
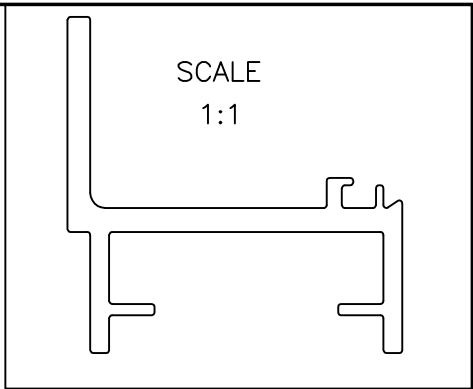



8700
11824
20630



 SYMBOL OF QUALITY AN ISO 9001 COMPANY	<b>JINDAL ALUMINIUM LTD.</b> BANGALORE-560073 (INDIA)	NAME	DATE
		DRAWN	PRASHANT 10-11-2006
1. ALL DIMENSIONS ARE IN mm. 2. ROUND OFF ALL SHARP CORNERS WITH 0.40 mm. 3. TOLERANCES WILL BE AS PER IS:3965-1981 UNLESS OTHERWISE SPECIFIED		CHECKED	
		APPROVED	
PARTY'S NAME -		SCALE	1:1
		AREA mm <sup>2</sup>	329.087
PARTY'S DRAWING No. MH/120		PERIMETER mm.	245.94
		WEIGHT kg/m	0.889
ALLOY & TEMPER HE9 WP		DRAWING No.	SECTION No.
		8700	8700
DESCRIPTION WINDOW SECTION		11824	11824
		20630	20630