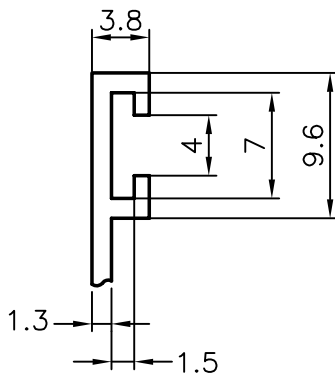
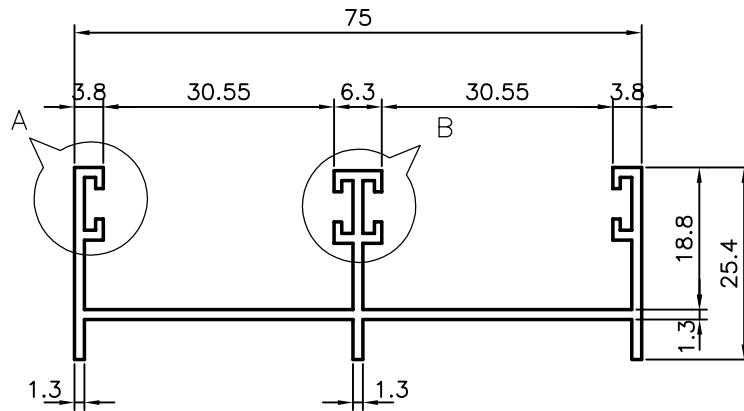
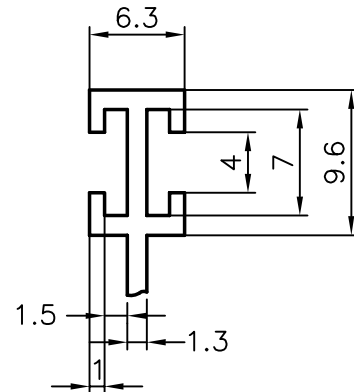



8705
12266
20634



DETAIL AT 'A'



DETAIL AT 'B'

 SYMBOL OF QUALITY AN ISO 9002 COMPANY	JINDAL ALUMINIUM LTD. BANGALORE-560073 (INDIA)		NAME	DATE
			DRAWN	R.D.SHARMA
1. All dimensions are in mm. 2. Round off all sharp corners with 0.4R. 3. Tolerances will be as per IS: 3965-1981.			CHECKED	
			APPROVED	
PARTY'S NAME			SCALE	1:1 & 2:1
PARTY'S DRAWING No.		FINISH: AS EXTRUDED	WEIGHT kg/m	0.619
ALLOY & TEMPER	HE9WP	LENGTH: 3658mm.	SECTION No.	8705 20634
DESCRIPTION	WINDOW SECTION		DRAWING No.	8705 20634