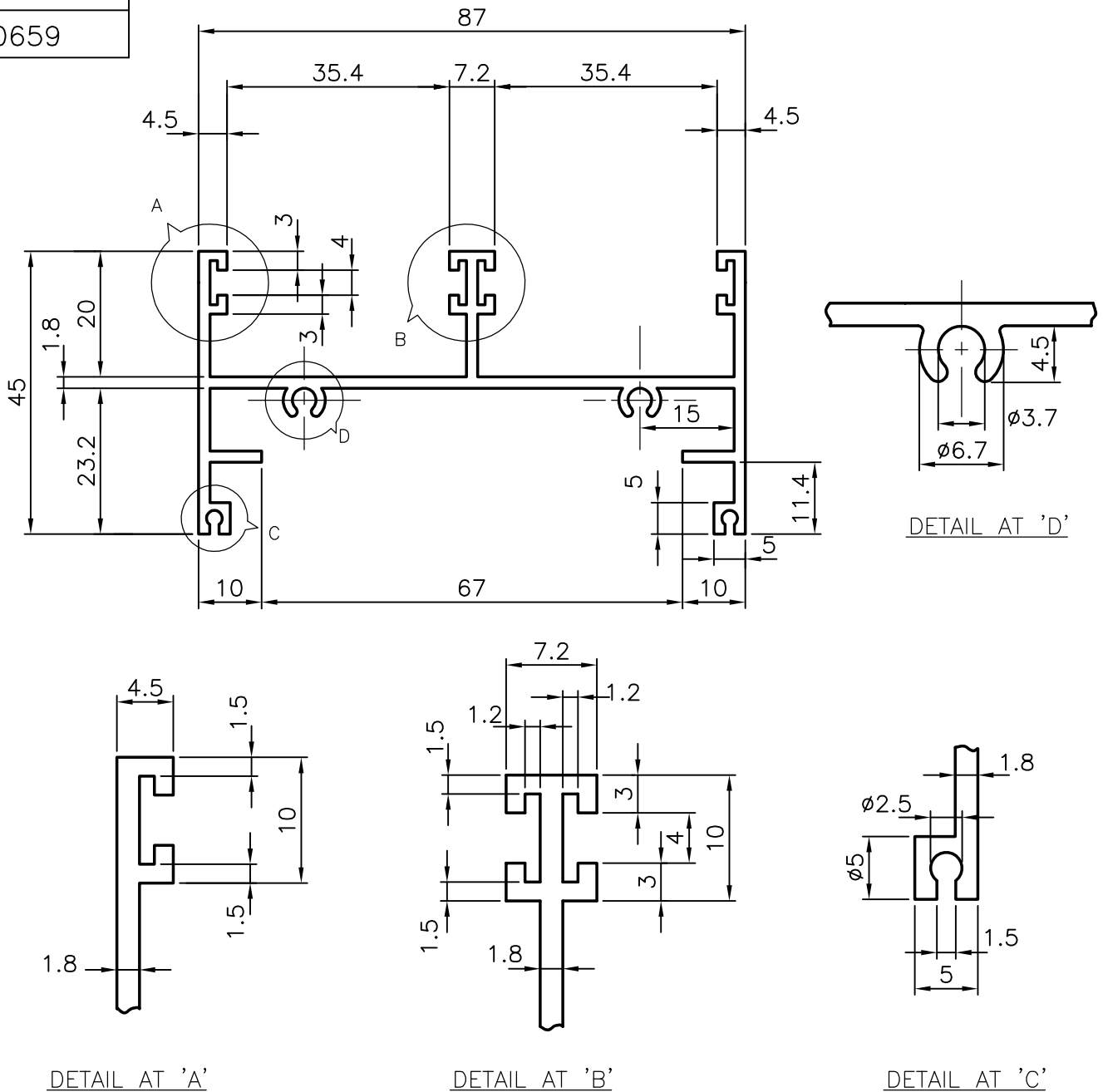


8734

12481

20659



NOTE:-

GENERAL WALL THICKNESS: 1.8mm.



SYMBOL OF QUALITY  
AN ISO 9001 COMPANY

**JINDAL ALUMINIUM LTD.**  
BANGALORE-560073 (INDIA)

	NAME	DATE
DRAWN	MALINGAPPA	06.01.2006
CHECKED		
APPROVED		
SCALE		1:1
AREA mm <sup>2</sup>		474.529
PERIMETER mm.		553.56
WEIGHT kg/m		1.278
DRAWING No.	SECTION No.	
8734	8734	
12481	12481	
20659	20659	

1. ALL DIMENSIONS ARE IN mm.
2. ROUND OFF ALL SHARP CORNERS WITH 0.40 mm.
3. TOLERANCES WILL BE AS PER BS: 1474-1987 UNLESS OTHERWISE SPECIFIED

PARTY'S NAME	ECIE (BANGALORE)
PARTY'S DRAWING No.	RD/8/103
ALLOY & TEMPER	HE9 WP
DESCRIPTION	WINDOW SECTION