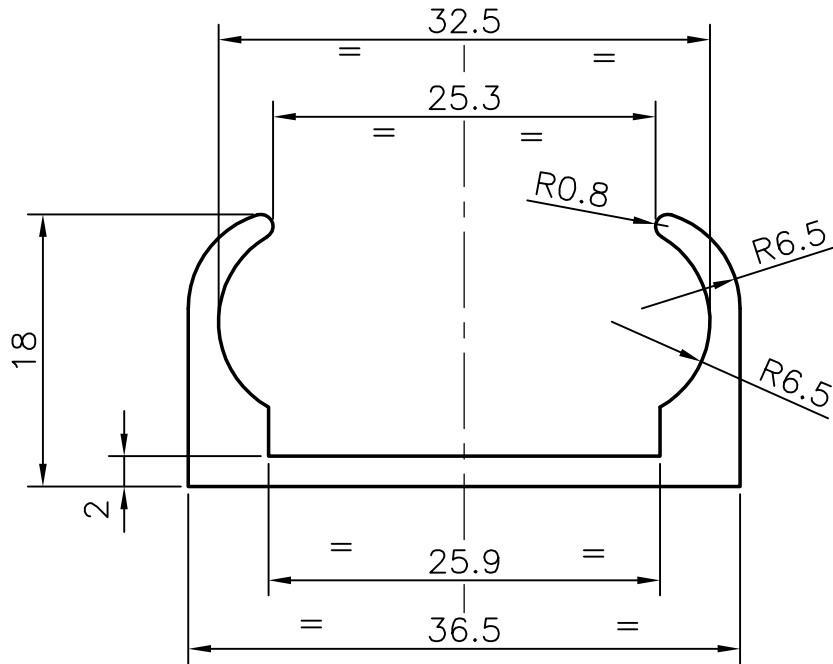
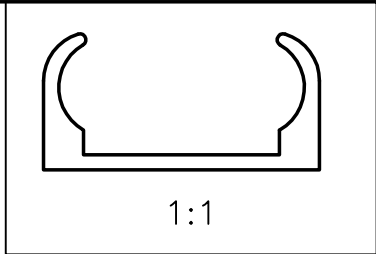



P-0676
N506
8738(2)
12483
20663



 SYMBOL OF QUALITY AN ISO 9002 COMPANY	<b>JINDAL ALUMINIUM LTD.</b> BANGALORE-560073 (INDIA)	NAME	DATE
		DRAWN	R.D.Sharma 27-03-03
1. ALL DIMENSIONS ARE IN mm. 2. ROUND OFF ALL SHARP CORNERS WITH 0.40 mm. 3. TOLERANCES WILL BE AS PER IS 3965-1981 UNLESS OTHERWISE SPECIFIED		CHECKED	
		APPROVED	
PARTY'S NAME BAGGA BROTHERS, DELHI		SCALE	2:1
		AREA mm <sup>2</sup>	174.64
PARTY'S DRAWING No. NIL		PERIMETER mm.	140.8
		WEIGHT kg/m	0.472
ALLOY & TEMPER HE9 WP		SECTION No.	20663
DESCRIPTION WINDOW SECTION		DRAWING No.	20663