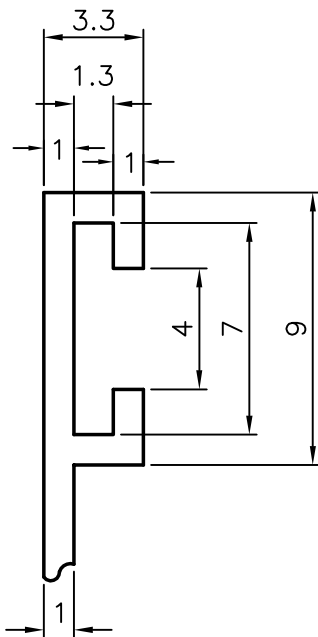
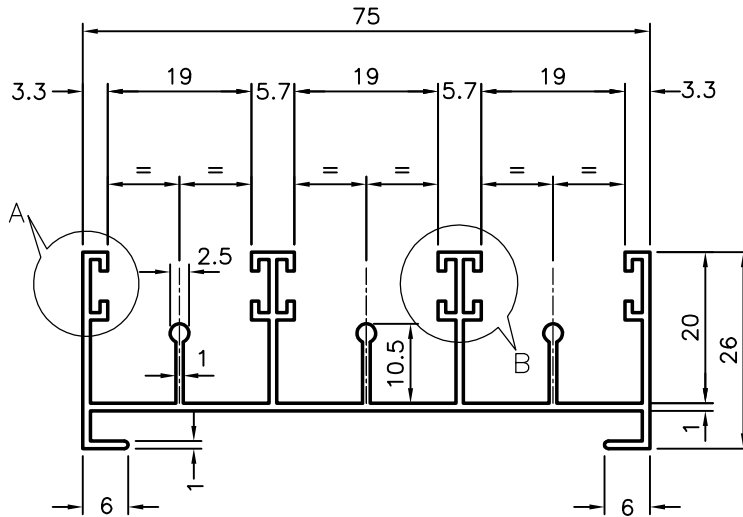


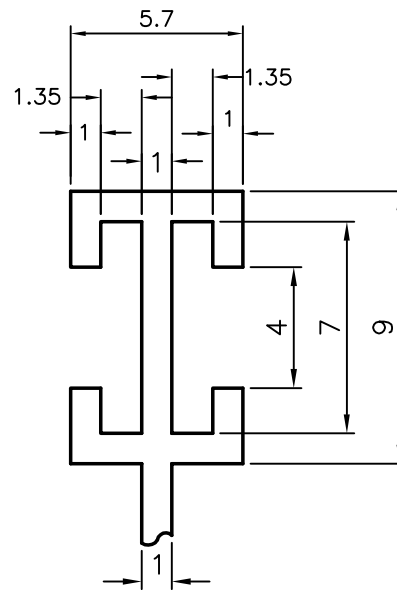
8748

11929


20671



DETAIL AT-A



DETAIL AT-B

 SYMBOL OF QUALITY AN ISO 9002 COMPANY	JINDAL ALUMINIUM LTD. BANGALORE-560073 (INDIA)			NAME	DATE
				DRAWN	R.D.SHARMA
1. TOLERANCES WILL BE AS PER I.S.3965-1981 2. ALL DIMENSIONS ARE IN mm. 3. ROUND OF SHARP CORNERS WITH 0.4 MM R				CHECKED	
				APPROVED	
				SCALE	1:1 & 4:1
PARTY'S NAME	-			WEIGHT kg/m	0.699
PARTY'S DRAWING No.	-	FINISH		SECTION No.	20671
ALLOY & TEMPER	HE9WP	LENGTH:	3658 mm	DRAWING No.	
DESCRIPTION	WINDOW SECTION			20671	