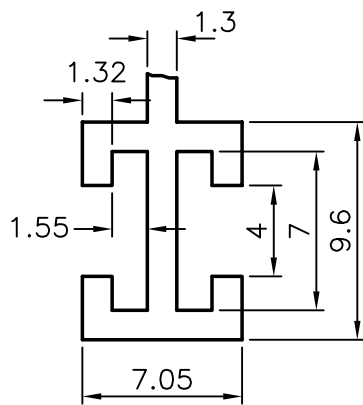
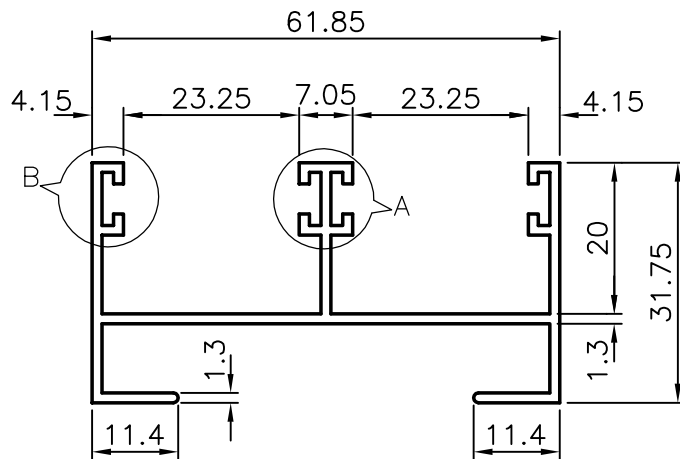


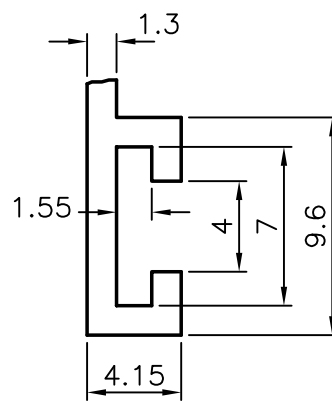
8758

12022


20681



DETAIL AT 'A'



DETAIL AT 'B'

 SYMBOL OF QUALITY AN ISO 9002 COMPANY	JINDAL ALUMINIUM LTD. BANGALORE-560073 (INDIA)			NAME	DATE
				DRAWN	S.KUMAR
1. ALL DIMENSIONS ARE IN mm 2. ROUND OFF SHARP CORNERS WITH 0.4mm R 3. TOLERANCES WILL BE AS PER IS: 3965-1981				CHECKED	
				APPROVED	
PARTY'S NAME	BANSAL ALUMINIUM CO. 1 METALS & HARDWARE (BOMBAY)			SCALE	1:1
PARTY'S DRAWING No.		FINISH		WEIGHT kg/m	0.659
ALLOY & TEMPER	HE 9 WP	LENGTH:	3658mm	SECTION No.	8758 20681
DESCRIPTION	WINDOW SECTION			DRAWING No.	8758 20681