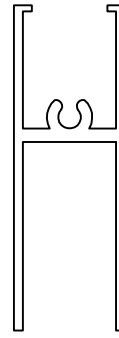


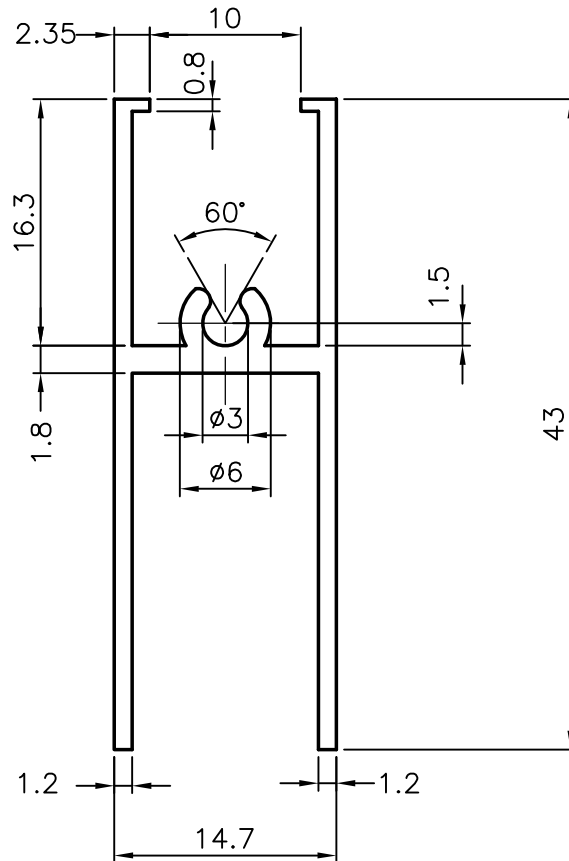
8767

11966

20688



1:1



SYMBOL OF QUALITY  
AN ISO 9002 COMPANY

**JINDAL ALUMINIUM LTD.**  
BANGALORE-560073 (INDIA)

NAME

DATE

DRAWN

R.D.Sharma

4.5.89

CHECKED

APPROVED

SCALE

2:1

PARTY'S NAME

-

WEIGHT kg/m

0.371

PARTY'S DRAWING No.

-

FINISH

LENGTH:

3658mm

SECTION No.

20688

ALLOY &amp; TEMPER

HE9WP

DRAWING No.

20688

DESCRIPTION

WINDOW SECTION