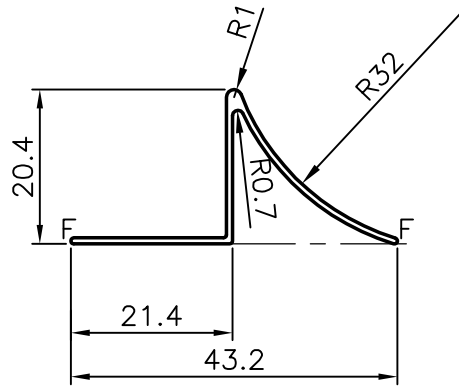


8779

12487


20699



WALL THICKNESS : 0.80 mm.

WT/PIECE : 0.57Kg.

F = FULL RADIUS (2 PLACES)

 SYMBOL OF QUALITY AN ISO 9002 COMPANY	<b>JINDAL ALUMINIUM LTD.</b> BANGALORE-560073 (INDIA)			NAME	DATE
				DRAWN	PRASAD
1. ALL DIMENSIONS ARE IN mm 2. ROUND OFF SHARP CORNERS WITH 0.4mm R. 3. TOLERANCES WILL BE AS PER IS: 3965-1981.				CHECKED	
				APPROVED	
PARTY'S NAME				SCALE	1:1
PARTY'S DRAWING No. -				WEIGHT kg/m	0.156
ALLOY & TEMPER		HE 9 WP	FINISH	SECTION No.	20699
DESCRIPTION		WALL ANGLE	LENGTH: 3658mm	DRAWING No. 20699	