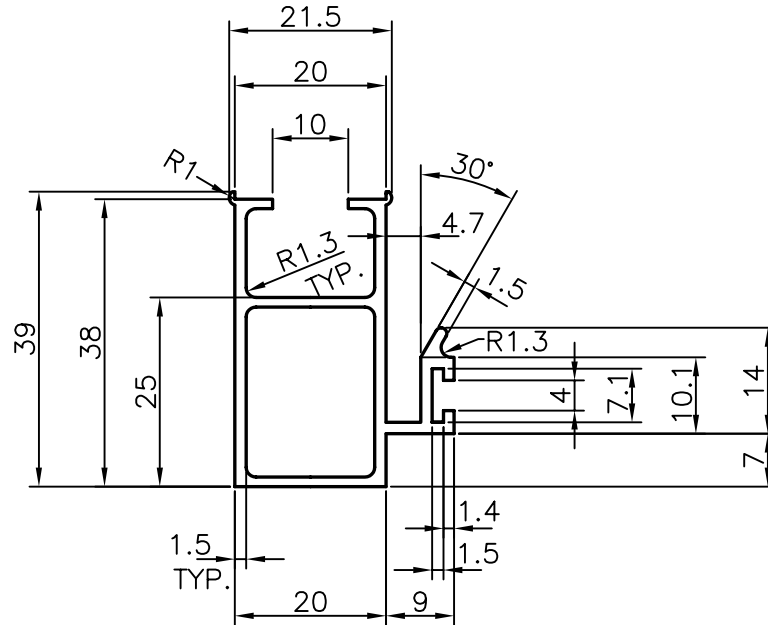


8790

12216

20708



SYMBOL OF QUALITY  
AN ISO 9002 COMPANY

**JINDAL ALUMINIUM LTD.**  
**BANGALORE-560073 (INDIA)**

NAME

DATE

DRAWN

PRASAD

17.11.89

CHECKED

APPROVED

1. ALL DIMENSIONS ARE IN mm.
2. ROUND OFF ALL SHARP CORNERS WITH 0.4mm R.
3. TOLERANCES WILL BE AS PER IS:6477-1983

SCALE

1:1

PARTY'S NAME

-

WEIGHT kg/m

0.605

PARTY'S DRAWING No.

-

FINISH

AS EXTRUDED

SECTION No.

~~20708~~ 20708

ALLOY &amp; TEMPER

HE 9 WP

LENGTH:

3658mm

DRAWING No.

~~20708~~ 20708

DESCRIPTION

WINDOW SECTION