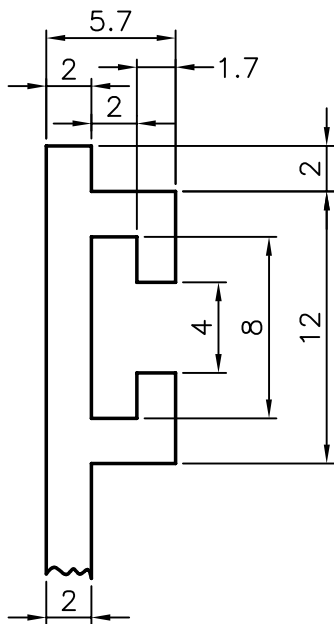
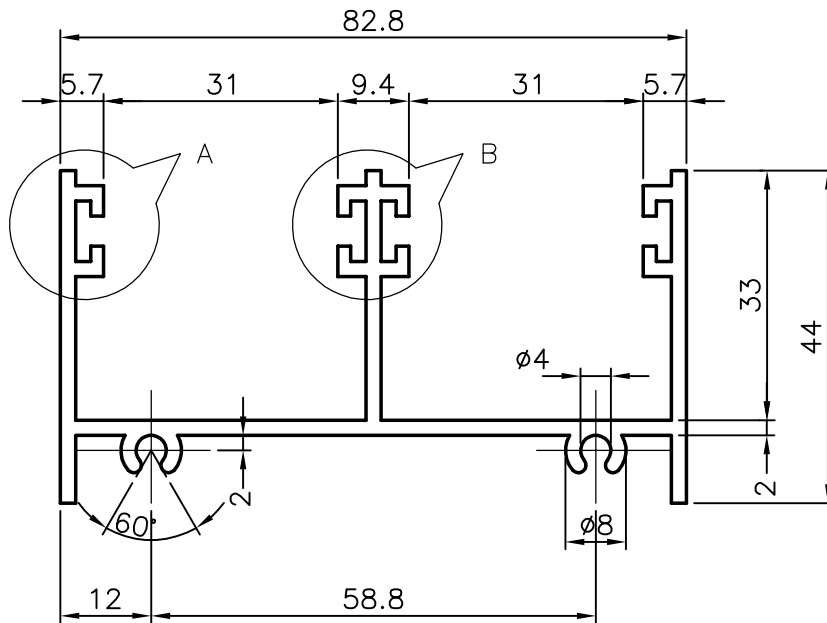


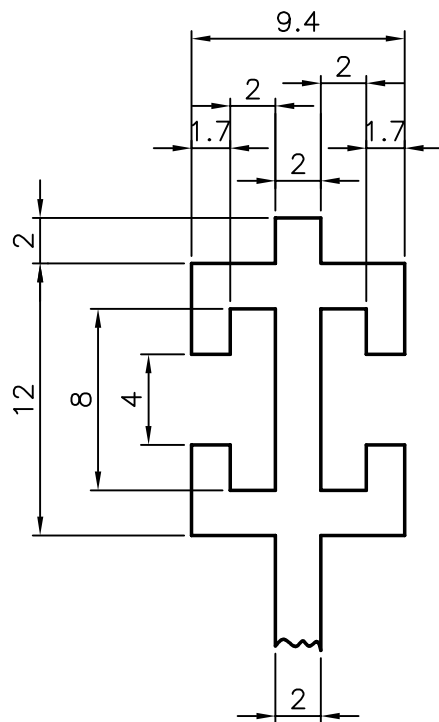
8796

12337

20713




DETAIL AT 'A'



DETAIL AT 'B'

NOTE:

1. SAMPLE APPROVAL : NOT NECESSARY

 SYMBOL OF QUALITY AN ISO 9002 COMPANY	JINDAL ALUMINIUM LTD. BANGALORE-560073 (INDIA)		NAME	DATE
			DRAWN	R.D.SHARMA
1. All dimensions are in mm. 2. Round off all sharp corners with 0.4R. 3. Tolerances will be as per IS: 3965-1981			CHECKED	
			APPROVED	
			SCALE	1:1 & 3:1
PARTY'S NAME	-		WEIGHT kg/m	1.429
PARTY'S DRAWING No.	-		SECTION No.	XXXX 20713
ALLOY & TEMPER	HE 9 WP	LENGTH: 3658mm.	DRAWING No.	
DESCRIPTION	WINDOW SECTION		XXXX 20713	