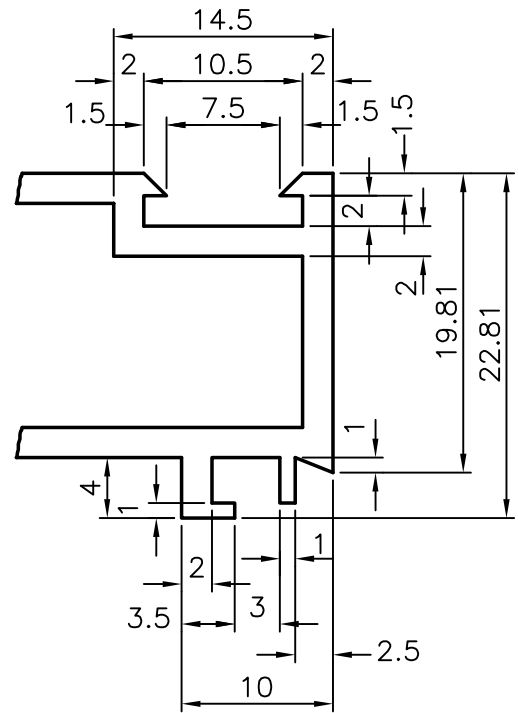
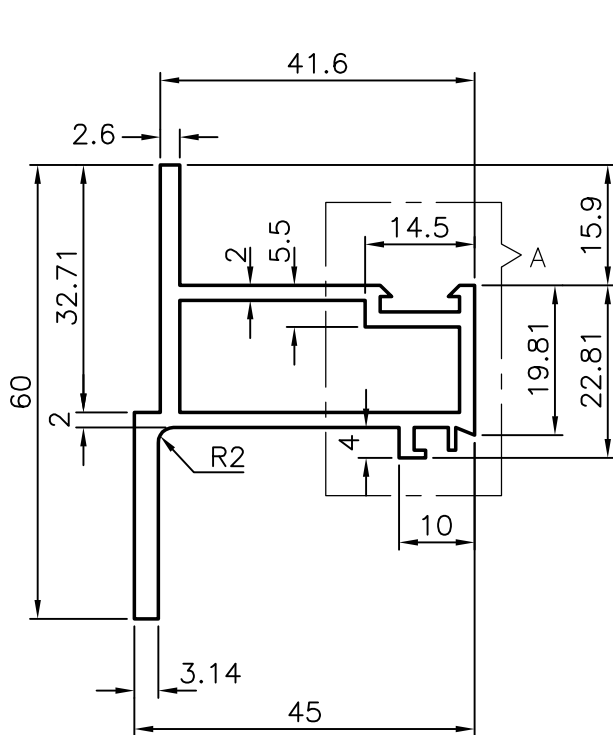


8811

11826

20727



DETAIL-A

1. TOLERANCES ON DIMENSIONS, STRAIGHTNESS, FLATNESS, TWIST & ANGULARITY WILL BE AS PER IS: 6477-1983



SYMBOL OF QUALITY  
AN ISO 9002 COMPANY

**JINDAL ALUMINIUM LTD.**  
**BANGALORE-560073 (INDIA)**

1. ALL DIMENSIONS ARE IN mm.  
2. ROUND OFF SHARP CORNERS WITH 0.4mm R  
3.

PARTY'S NAME

FABAL CORPORATION,  
MADRAS

PARTY'S DRAWING No.

-

FINISH

LENGTH: 4000mm

ALLOY &amp; TEMPER

HE 9 WP

DESCRIPTION

WINDOW SECTION

NAME

DATE

DRAWN

R.D.SHARMA 28.4.89

CHECKED

APPROVED

SCALE

1:1

WEIGHT kg/m

1.053

SECTION No.

20727

DRAWING No.

20727