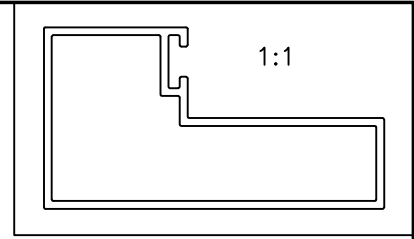
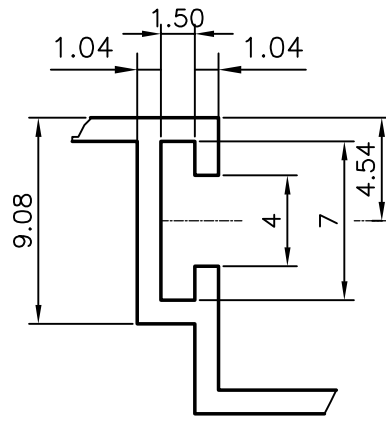
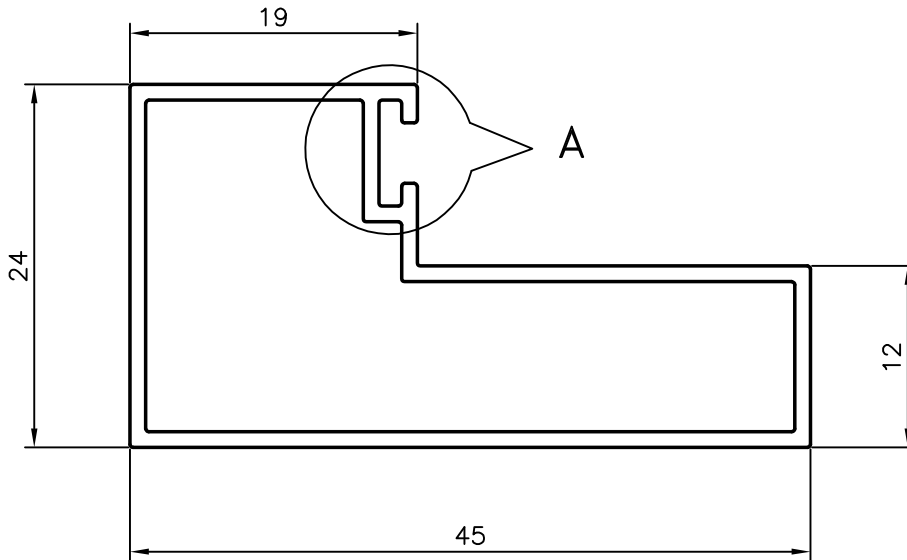



8818
12350
20734



DETAIL OF "A"



1. GENERAL WALL THICKNESS:- 1.04 mm
2. NO. OF PIECES REQD. IN 100 kgs.:- 68-70

 SYMBOL OF QUALITY AN ISO 9001 COMPANY	JINDAL ALUMINIUM LTD. BANGALORE-560073 (INDIA)	NAME	DATE
		DRAWN	PRASHANT 06-11-2006
1. ALL DIMENSIONS ARE IN mm. 2. ROUND OFF ALL SHARP CORNERS WITH 0.40 mm. 3. TOLERANCES WILL BE AS PER IS:6477-1983 UNLESS OTHERWISE SPECIFIED		CHECKED	
		APPROVED	
PARTY'S NAME GENERAL CATEGORY		SCALE	2:1 & 3:1
		AREA mm ²	144.955
PARTY'S DRAWING No. -		PERIMETER mm.	147.878
		WEIGHT kg/m	0.395
ALLOY & TEMPER HE9 WP		DRAWING No.	SECTION No.
		8818	8818
DESCRIPTION ARCHITECTURAL SECTION		12350	12350
		20734	20734