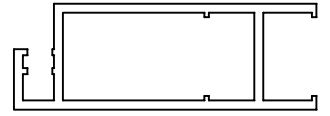


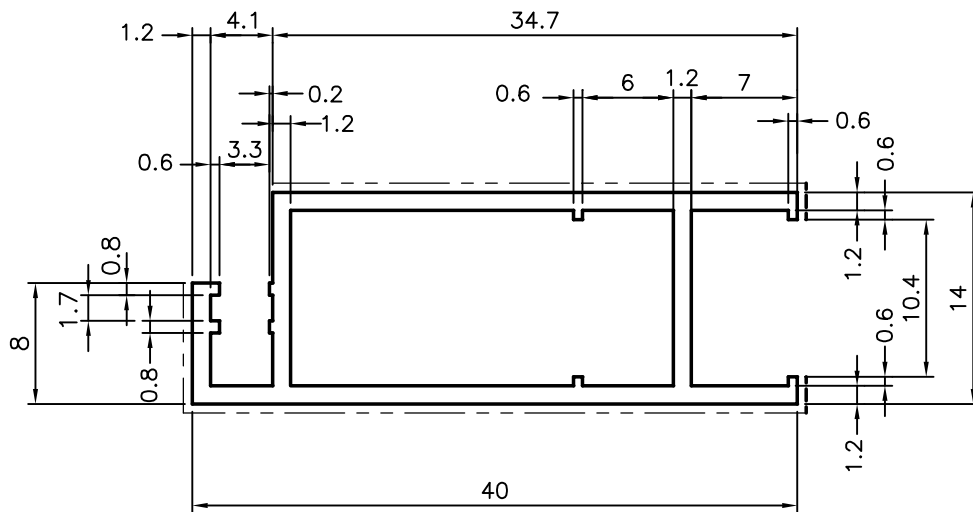
8834

12495

20747



1:1

**NOTE:**

1. ----- EXPOSED SURFACE



SYMBOL OF QUALITY  
AN ISO 9001 COMPANY

**JINDAL ALUMINIUM LTD.**  
**BANGALORE-560073 (INDIA)**

	NAME	DATE
DRAWN	J.P.KAUSHIK	31-03-2006
CHECKED		
APPROVED		
SCALE		2:1
AREA mm <sup>2</sup>		128.36
PERIMETER mm.		141.2
WEIGHT kg/m		0.346
DRAWING No.	SECTION No.	
8834	8834	
12495	12495	
20747	20747	

1. ALL DIMENSIONS ARE IN mm.
2. ROUND OFF ALL SHARP CORNERS WITH 0.40 mm.
3. TOLERANCES WILL BE AS PER IS:6477-1983 UNLESS OTHERWISE SPECIFIED

PARTY'S NAME WHITE ALUMINIUM EST.,ABUDHABI

PARTY'S DRAWING No. 85-5-7

ALLOY & TEMPER HE9 WP

DESCRIPTION WINDOW SECTION