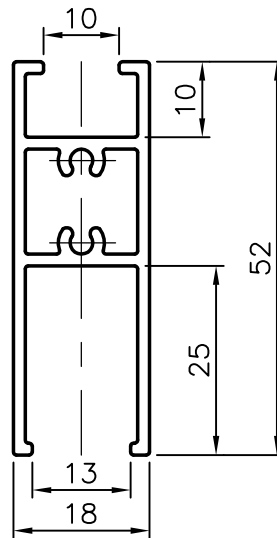
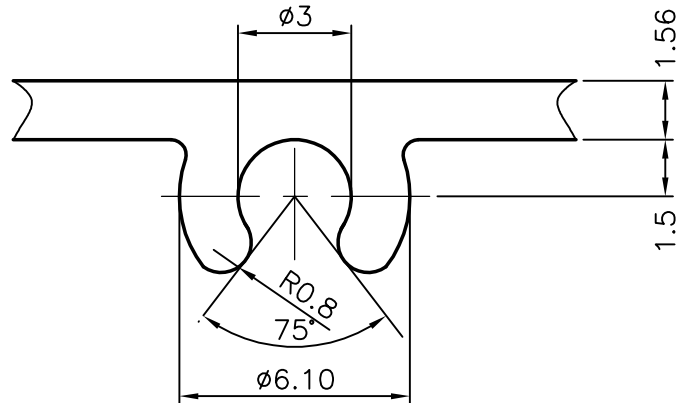



8837

12016

20750

**NOTE:**

1. GENERAL WALL THICKNESS : 1.56mm
2. NO. OF PIECES IN 100 Kgs : 42 NOS.

| | | | | |
|---|---|----------------|-----------------------|-----------------------|
|  SYMBOL OF QUALITY AN ISO 9002 COMPANY | JINDAL ALUMINIUM LTD. BANGALORE-560073 (INDIA) | | NAME | DATE |
| | | | DRAWN | R.D.SHARMA 12.4.94 |
| 1. All dimensions are in mm. 2. Round off all sharp corners with 0.4R. 3. Tolerances will be as per IS: 6477-1983 | | | CHECKED | |
| | | | APPROVED | |
| | | | SCALE | 1:1 & 5:1 |
| PARTY'S NAME | | | WEIGHT kg/m | 0.651 |
| PARTY'S DRAWING No. | | | SECTION No. | XXXX 20750 |
| ALLOY & TEMPER | HE9WP | LENGTH: 3658mm | DRAWING No. | |
| DESCRIPTION | WINDOW SECTION | | XXXX 20750 | |