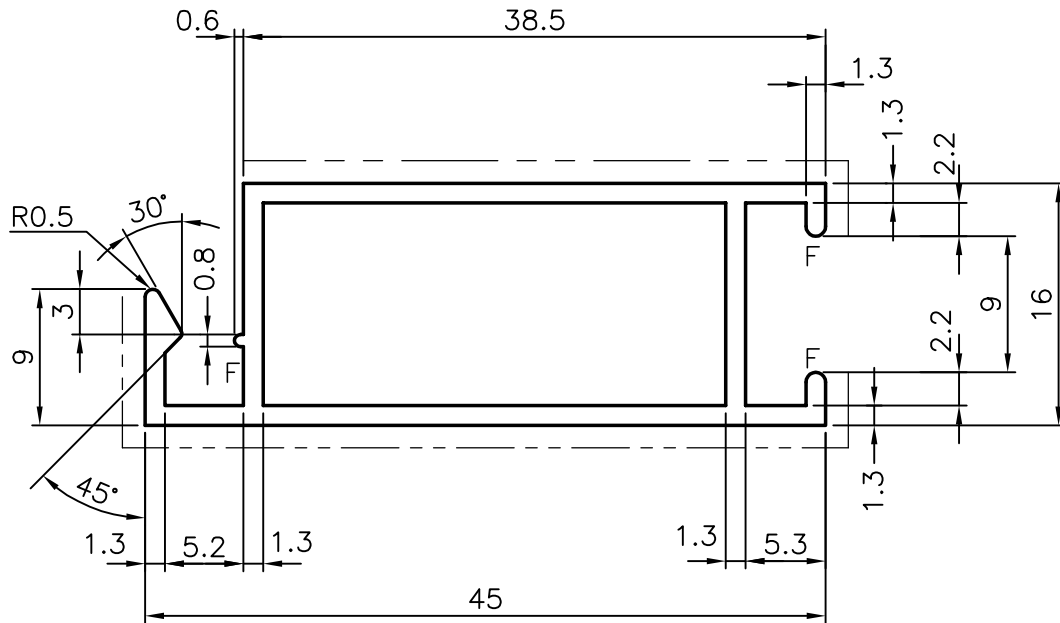


8850
20758




1:1



NOTES :

1. ----- EXPOSED SURFACE
2. F - FULL RADIUS (3)
3. GENERAL WALL THICKNESS : 1.30 mm.

 SYMBOL OF QUALITY AN ISO 9002 COMPANY	JINDAL ALUMINIUM LTD. BANGALORE-560073 (INDIA)			NAME	DATE
				DRAWN	R.D.SHARMA
1. All dimensions are in mm. 2. Round off all sharp corners with 0.4mm R. 3. Tolerances will be as per IS: 6477-1983.				CHECKED	
				APPROVED	
				SCALE	2:1
PARTY'S NAME	UNIVERSAL ALUMINIUM CO., BAHRAIN			WEIGHT kg/m	0.430
PARTY'S DRAWING No.	WA-101-79-1	FINISH		SECTION No.	8850 20758
ALLOY & TEMPER	HE9WP	LENGTH:	5850mm.	DRAWING No.	
DESCRIPTION	WINDOW SECTION			8850 20758	