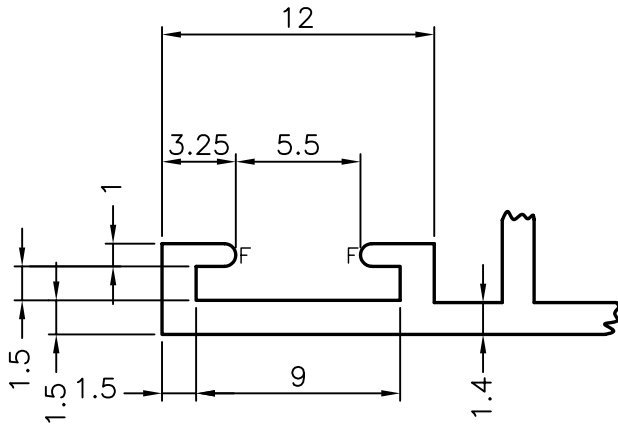
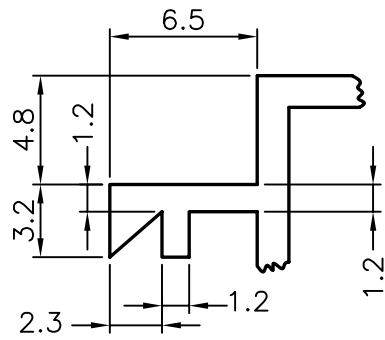


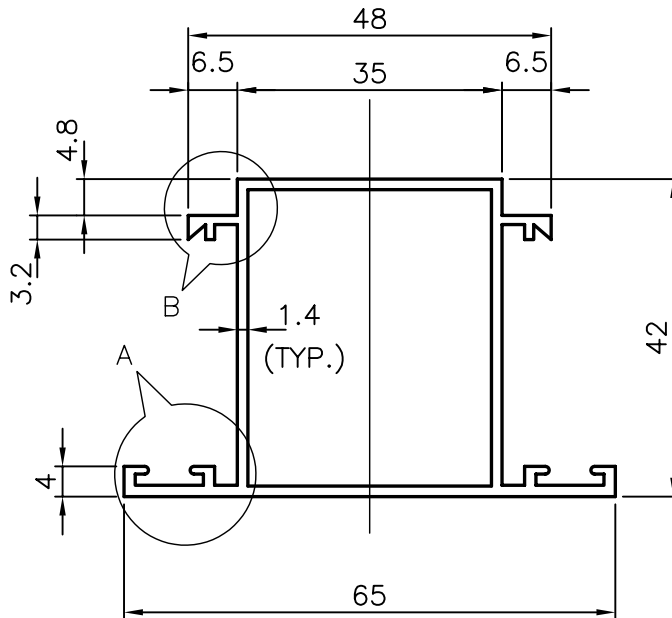
8856  
12504  
20764



DETAIL 'A'




DETAIL 'B'



NOTES:-

1. GENERAL WALL THICKNESS : 1.40 mm
2. F = FULL RADIUS (4)

 SYMBOL OF QUALITY AN ISO 9002 COMPANY	<b>JINDAL ALUMINIUM LTD.</b> <b>BANGALORE-560073 (INDIA)</b>			NAME	DATE
				DRAWN	R.D.SHARMA
1. All dimensions are in mm. 2. Round off all sharp corners with 0.4mm R. 3. Tolerances will be as per IS: 6477-1983				CHECKED	
				APPROVED	
				SCALE	1:1 & 3:1
PARTY'S NAME	UNIVERSAL ALUMINIUM CO., BAHRAIN			WEIGHT kg/m	0.805
PARTY'S DRAWING No.	6703	FINISH		SECTION No.	<del>8856</del> 20764
ALLOY & TEMPER	HE 9WP	LENGTH:	5850mm.	DRAWING No.	<del>8856</del> 20764
DESCRIPTION	WINDOW SECTION				