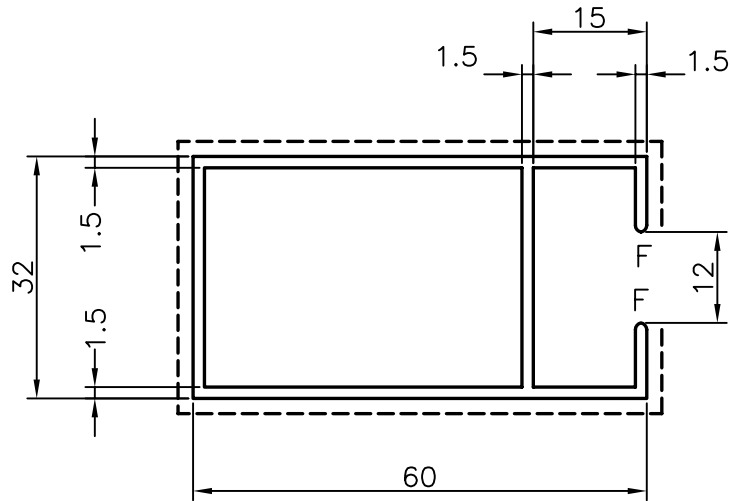



8881

20786



- 1.F- FULL RADIUS(2)
- 2.-----EXPOSED SURFACE

 SYMBOL OF QUALITY AN ISO 9002 COMPANY	JINDAL ALUMINIUM LTD. BANGALORE-560073 (INDIA)			NAME	DATE
				DRAWN	R.D.SHARMA
1. ALL DIMENSIONS ARE IN mm. 2. ROUND OFF ALL SHARP CPRNERS WITH 0.4mm. 3. TOLERANCES WILL BE AS PER IS:6477-1983.				CHECKED	
				APPROVED	
				SCALE	1:1
PARTY'S NAME	APEX TRADING ESTABLISHMENT DUBAI			WEIGHT kg/m	0.788
PARTY'S DRAWING No.	PD 91441	FINISH	AS EXTRUDED	SECTION No.	8881 20786
ALLOY & TEMPER	HE 9 WP	LENGTH:	5850mm	DRAWING No.	8881 20786
DESCRIPTION	WINDOW SECTION				