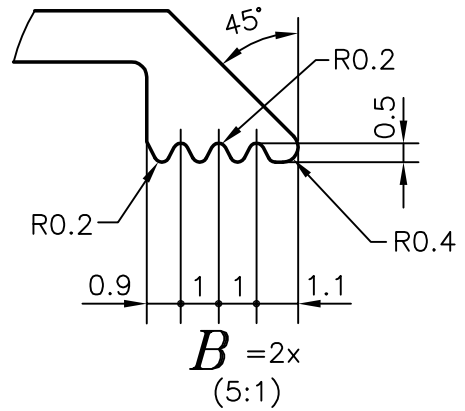
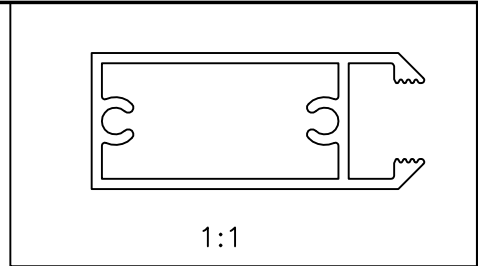
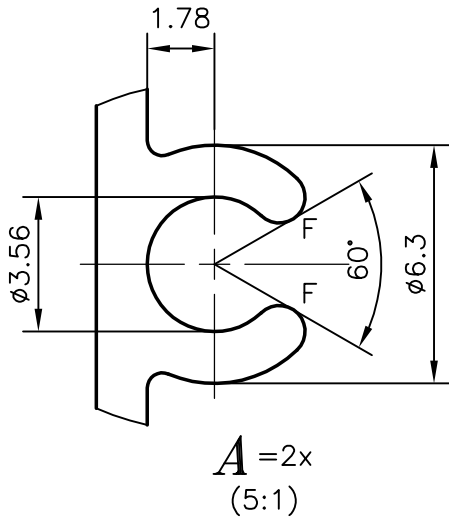
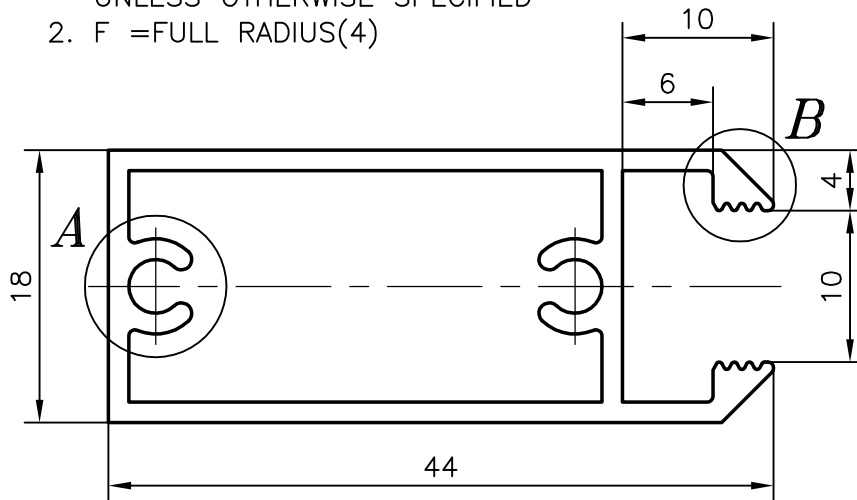


8898
12065
20802



1. GENERAL WALL THICKNESS:- 1.35 mm., UNLESS OTHERWISE SPECIFIED
2. F =FULL RADIUS(4)



JINDAL ALUMINIUM LTD.
BANGALORE-560073

1. ALL DIMENSIONS ARE IN mm.
2. ROUND OFF ALL SHARP CORNERS WITH 0.4 mm.
3. TOLERANCES WILL BE AS PER IS: 6477-1983 ,UNLESS OTHERWISE SPECIFIED

	NAME	DATE
DRAWN	R.D.Sharma	24-06-96
CHECKED		
APPROVED		
SCALE	1:1,2:1&5:1	
WEIGHT kg/m	0.520	
SECTION No.	20802	
DRAWING No.	20802	

PARTY'S NAME	BOMBAY MARKET
PARTY'S DRAWING No.	AS PER SAMPLE
ALLOY & TEMPER	HE9 WP
LENGTH	3658 mm.
DESCRIPTION	WINDOW SECTION