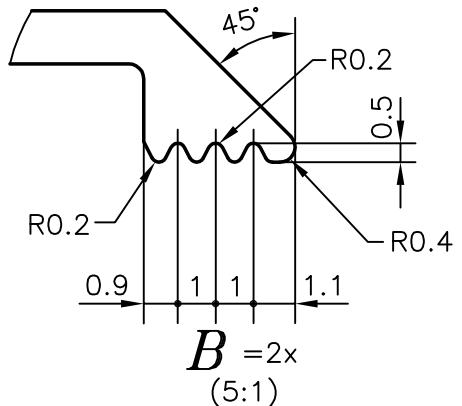
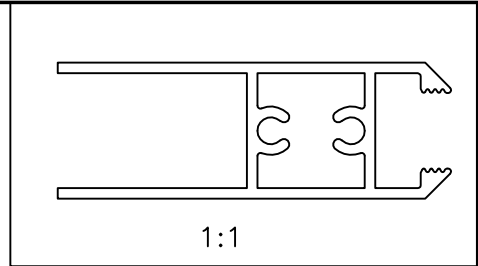
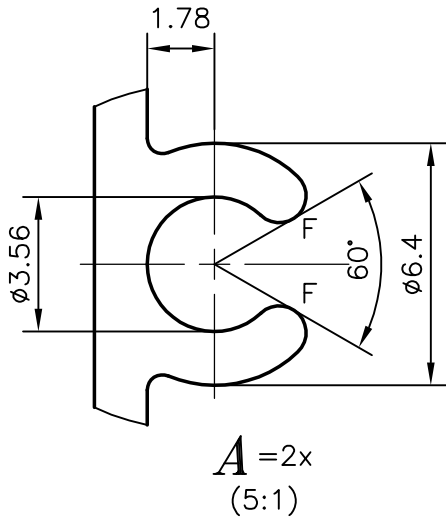
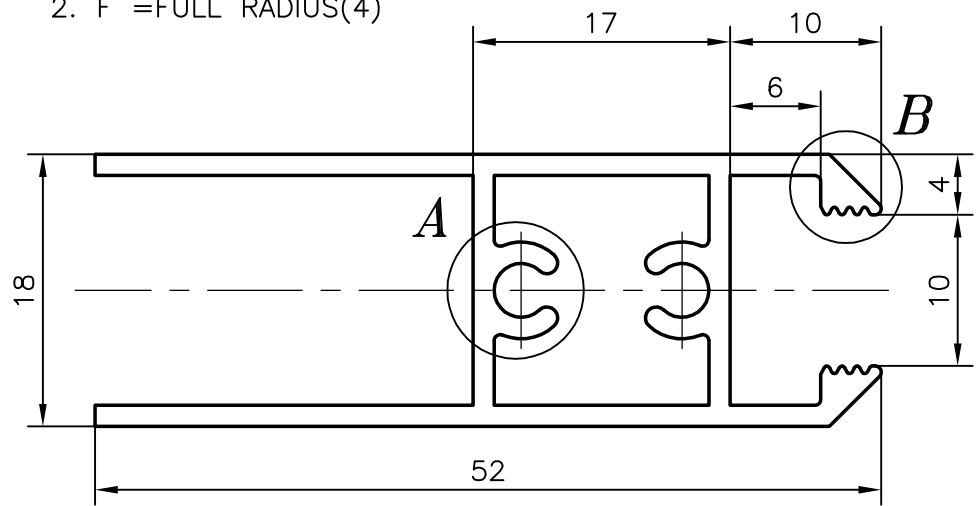


8899
12066
20803



1. GENERAL WALL THICKNESS:- 1.40 mm., UNLESS OTHERWISE SPECIFIED
2. F =FULL RADIUS(4)



JINDAL ALUMINIUM LTD.
BANGALORE-560073

1. ALL DIMENSIONS ARE IN mm.
2. ROUND OFF ALL SHARP CORNERS WITH 0.4 mm.
3. TOLERANCES WILL BE AS PER IS: 6477-1983 ,UNLESS OTHERWISE SPECIFIED

PARTY'S NAME		BOMBAY MARKET		NAME		DATE	
				DRAWN		R.D.Sharma	
PARTY'S DRAWING No.		AS PER SAMPLE		CHECKED			
				APPROVED			
ALLOY & TEMPER		HE9 WP		SCALE		1:1,2:1&5:1	
LENGTH		3658 mm.		WEIGHT kg/m		0.598	
DESCRIPTION		WINDOW SECTION		SECTION No.		20803	
				DRAWING No.		20803	