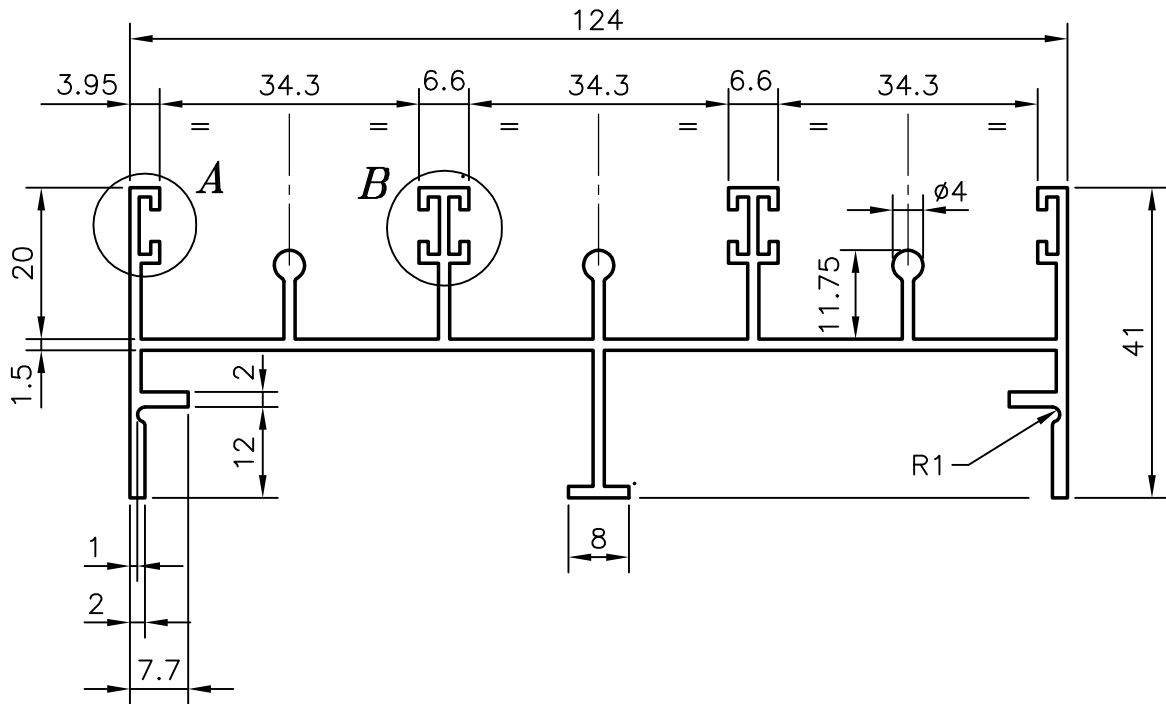
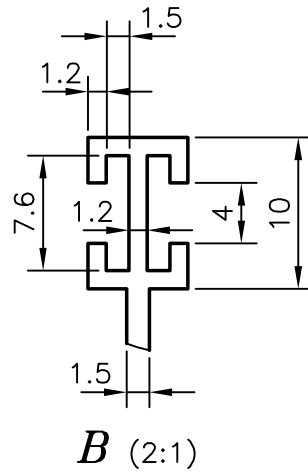
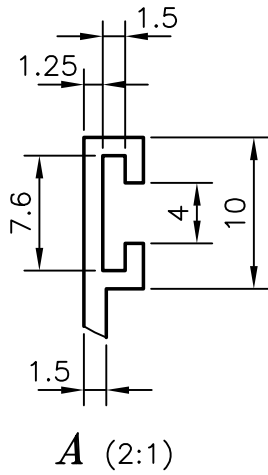


8941
12407
20838



GENERAL WALL THICKNESS:— 1.50 mm., UNLESS OTHERWISE SPECIFIED

JINDAL ALUMINIUM LTD.
BANGALORE-560073

	NAME	DATE
DRAWN	R.D.Sharma	18-01-98

1. ALL DIMENSIONS ARE IN mm.
2. ROUND OFF ALL SHARP CORNERS WITH 0.4 mm.
3. TOLERANCES WILL BE AS PER IS: 3965-1981 ,UNLESS OTHERWISE SPECIFIED

CHECKED		
APPROVED		

PARTY'S NAME	GENERAL CATEGORY	SCALE	1:1 & 2:1
PARTY'S DRAWING No.	NIL	WEIGHT kg/m	1.518
ALLOY & TEMPER	HE9 WP	SECTION No.	20838
LENGTH	3658 mm.	DRAWING No.	20838
DESCRIPTION	WINDOW SECTION		