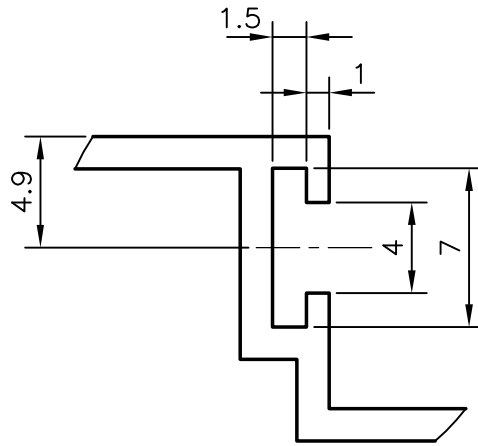
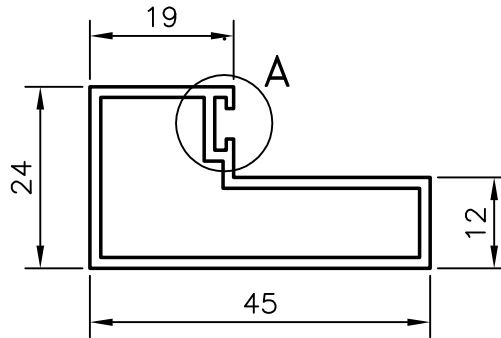


8946
12251
20843



A (3:1)



1. GENERAL WALL THICKNESS :- 1.42 mm.
2. NO. OF PIECES IN 100 kgs. :- 52 (AVERAGE)

JINDAL ALUMINIUM LTD.
BANGALORE-560073

	NAME	DATE
DRAWN	R.D.Sharma	02-04-98

1. ALL DIMENSIONS ARE IN mm.
2. ROUND OFF ALL SHARP CORNERS WITH 0.4 mm.
3. TOLERANCES WILL BE AS PER IS: 6477-1983 ,UNLESS OTHERWISE SPECIFIED

CHECKED		
APPROVED		

PARTY'S NAME	GENERAL CATEGORY	SCALE	1:1 & 3:1
PARTY'S DRAWING No.	NIL	WEIGHT kg/m	0.526
ALLOY & TEMPER	HE9 WP	SECTION No.	20843
LENGTH	3658 mm.	DRAWING No.	20843
DESCRIPTION	WINDOW SECTION		