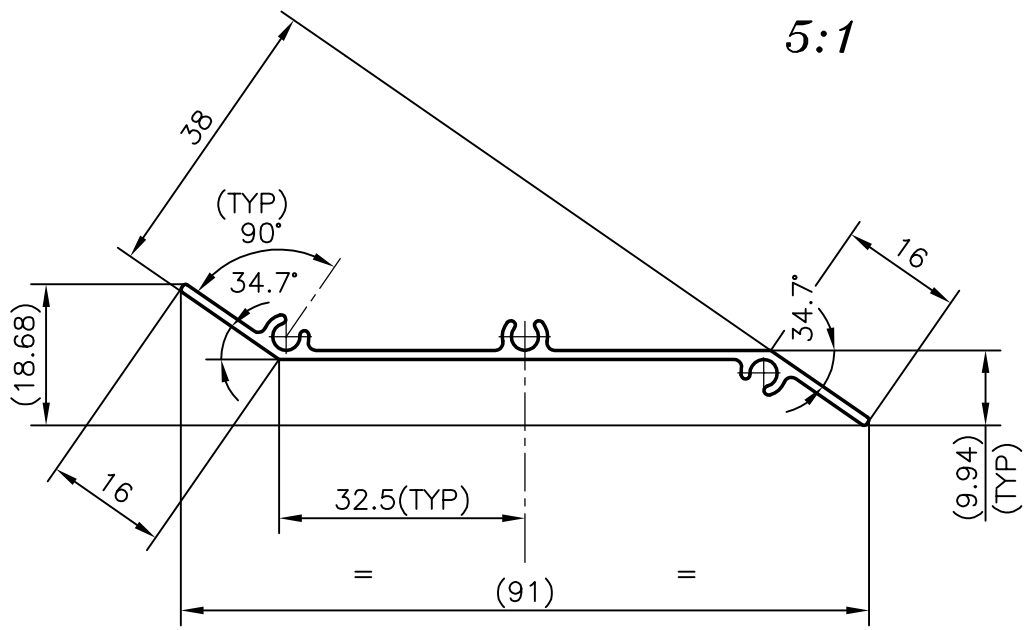
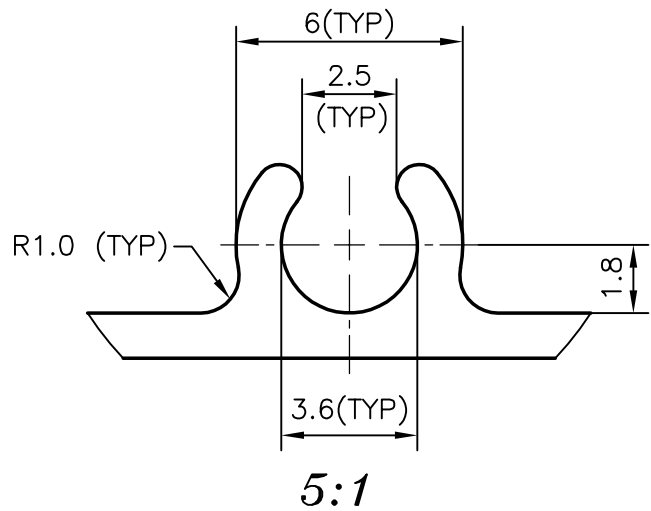


S158
8956
12520
20853

GENERAL	EXCLUSIVE	PARTLY EXCLUSIVE
---------	-----------	------------------



GENERAL WALL THICKNESS :- 1.20 mm.

JINDAL ALUMINIUM LTD.
BANGALORE-560073

	NAME	DATE
DRAWN	R.D.Sharma	23-08-97
CHECKED		
APPROVED		

1. ALL DIMENSIONS ARE IN mm.
2. ROUND OFF ALL SHARP CORNERS WITH 0.4 mm.
3. TOLERANCES WILL BE AS PER IS: 3965-1981 ,UNLESS OTHERWISE SPECIFIED

PARTY'S NAME	LUWA INDIA LTD., BANGALORE	SCALE	1:1
PARTY'S DRAWING No.	007 501	WEIGHT kg/m	0.391
ALLOY & TEMPER	HE9 WP	SECTION No.	20853
LENGTH	3658 mm.	DRAWING No.	20853
DESCRIPTION	LOUVRE SECTION		