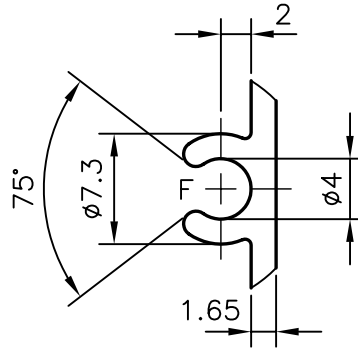
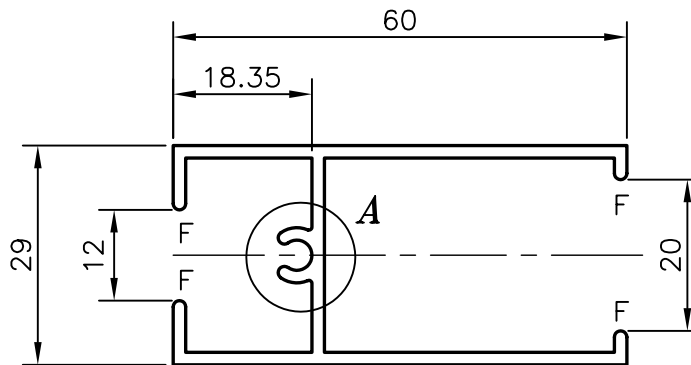


8962

12409

20859

**A (2:1)**

GENERAL WALL THICKNESS:- 1.65 mm.

F = FULL RADIUS (6)

JINDAL ALUMINIUM LTD.**BANGALORE-560073**

NAME

DATE

DRAWN

R.D.Sharma

29-04-98

CHECKED

APPROVED

1. ALL DIMENSIONS ARE IN mm.
 2. ROUND OFF ALL SHARP CORNERS WITH 0.4 mm.
 3. TOLERANCES WILL BE AS PER IS: 3965-1981 ,UNLESS OTHERWISE SPECIFIED

PARTY'S NAME

GENERAL CATEGORY

SCALE

1:1 & 2:1

PARTY'S DRAWING No.

NIL

WEIGHT kg/m

0.775

ALLOY & TEMPER

HE9 WP

SECTION No.

20859

LENGTH

3658 mm.

DRAWING No.

DESCRIPTION

WINDOW SECTION

20859