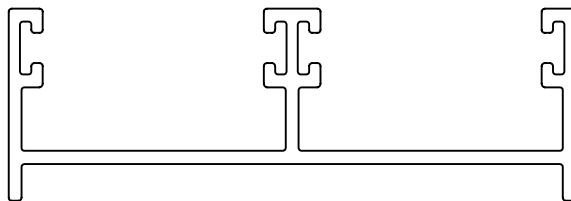


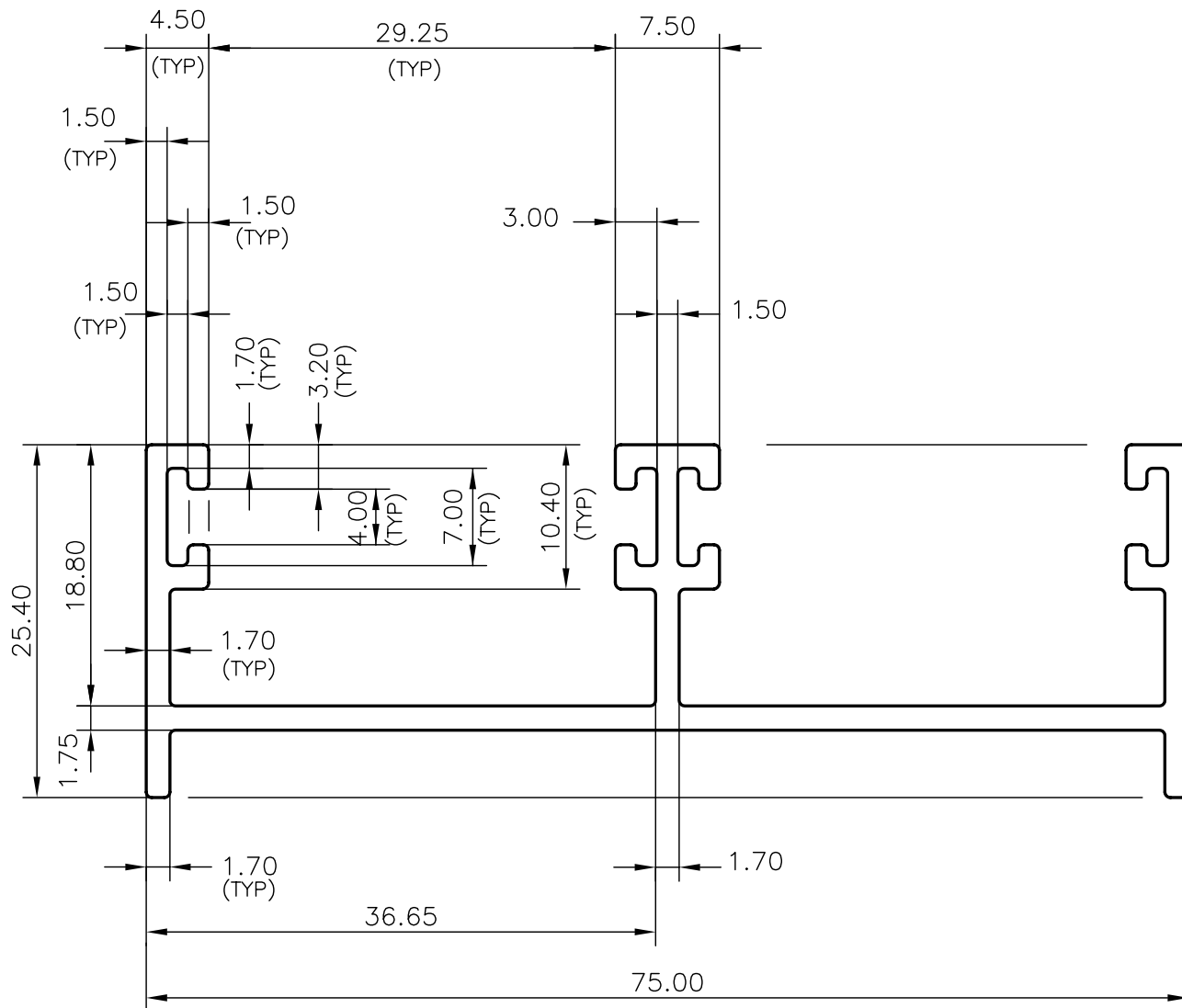
8978

12270

20874



1:1



CUTTING LENGTH = 3658 mm.



SYMBOL OF QUALITY
AN ISO 9002 COMPANY

JINDAL ALUMINIUM LTD.
BANGALORE-560073 (INDIA)

	NAME	DATE
DRAWN	P,KULKARNI	21-8-99
CHECKED		
APPROVED		

1. ALL DIMENSIONS ARE IN mm.
2. ROUND OFF ALL SHARP CORNERS WITH 0.40 mm.
3. TOLERANCES WILL BE AS PER IS: 3965-1981 UNLESS OTHERWISE SPECIFIED

SCALE	2:1
WEIGHT kg/m	0.800

PARTY'S NAME	GENERAL CATEGORY (MUMBAI MARKET)
PARTY'S DRAWING No.	8705 JAL MODIFIED
ALLOY & TEMPER	HE9 WP
DESCRIPTION	WINDOW SECTION 75.00x25.40x1.70 mm

SECTION No.	20874
DRAWING No.	20874