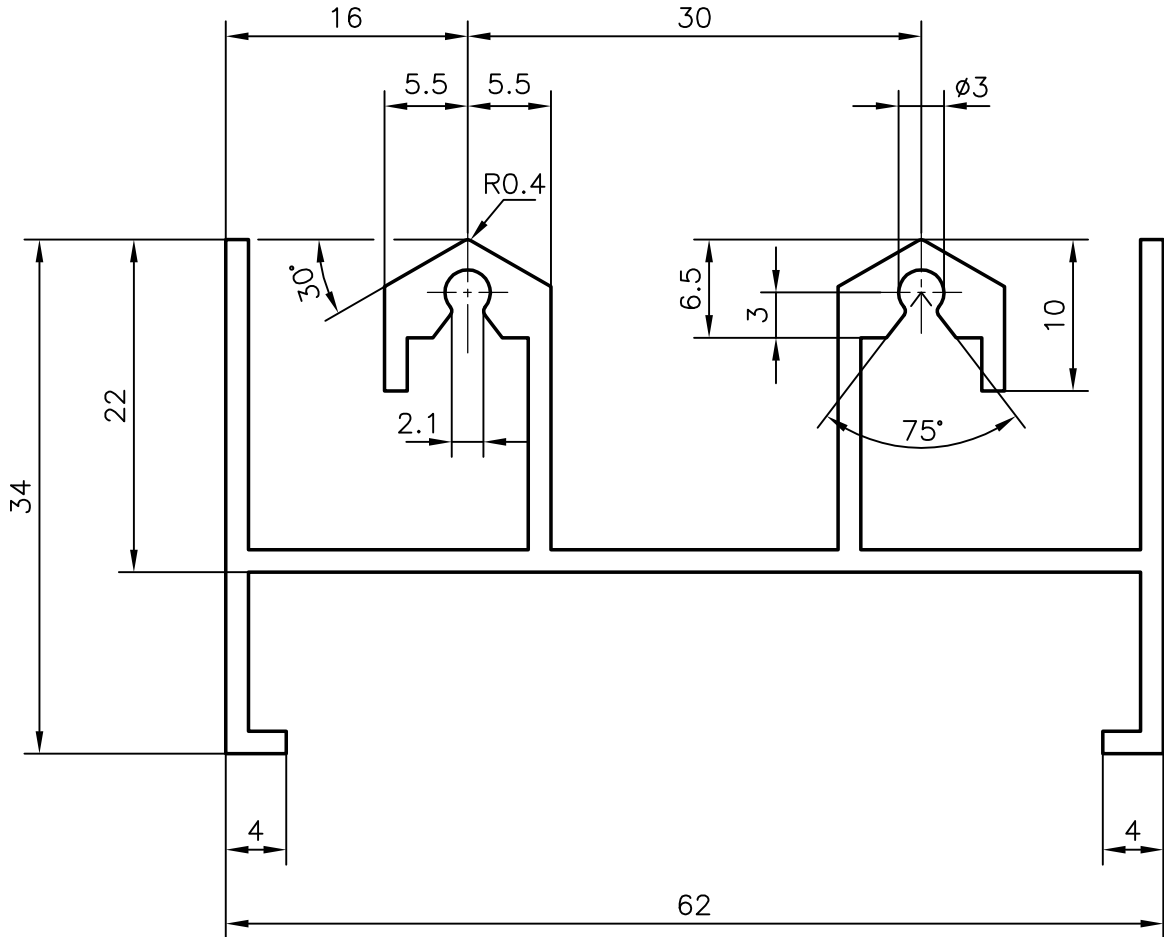
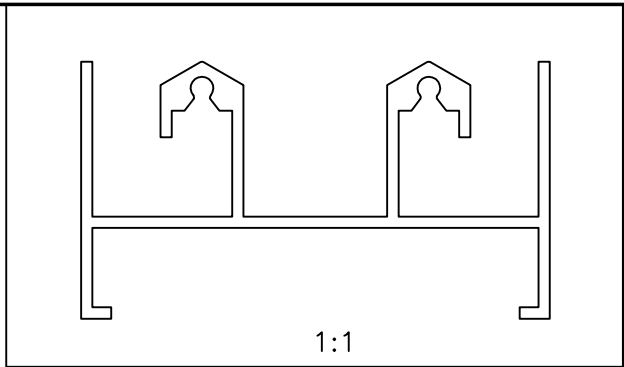


8983
12533
20879



GENERAL WALL THICKNESS :- 1.50 mm.

JINDAL ALUMINIUM LTD. <i>BANGALORE-560073</i>		NAME	DATE
		DRAWN	R.D.Sharma 27-08-97
1. ALL DIMENSIONS ARE IN mm. 2. ROUND OFF ALL SHARP CORNERS WITH 0.4 mm. 3. TOLERANCES WILL BE AS PER IS: 3965-1981 ,UNLESS OTHERWISE SPECIFIED		CHECKED	
		APPROVED	
		SCALE	1:1 & 2:1
PARTY'S NAME	A.S.B. & SONS, MADURAI	WEIGHT kg/m	0.904
PARTY'S DRAWING No.	X-4082	SECTION No.	20879
ALLOY & TEMPER	HE9 WP	DRAWING No.	20879
LENGTH	3658 mm. & 2743 mm.		
DESCRIPTION	WINDOW SECTION		