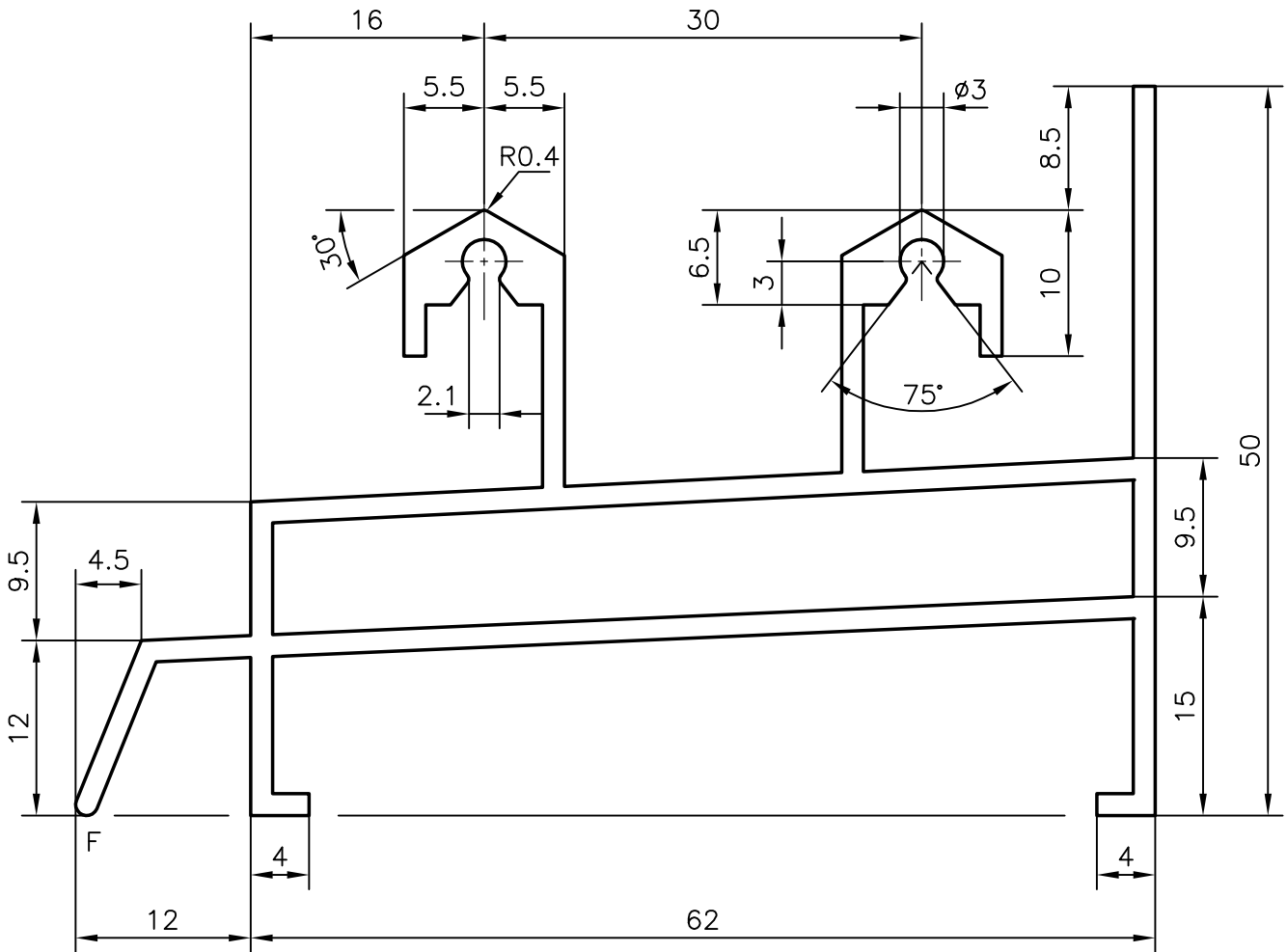
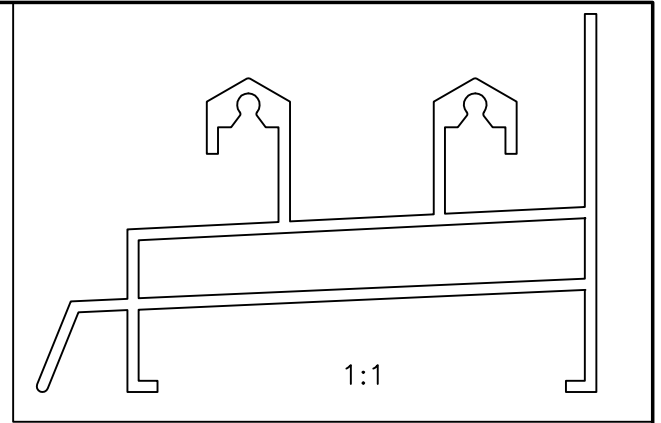


8984

12534

20880



GENERAL WALL THICKNESS :- 1.50 mm.

F = FULL RADIUS

**JINDAL ALUMINIUM LTD.****BANGALORE-560073**

NAME

DATE

DRAWN

R.D.Sharma

28-08-97

CHECKED

APPROVED

1. ALL DIMENSIONS ARE IN mm.
2. ROUND OFF ALL SHARP CORNERS WITH 0.4 mm.
3. TOLERANCES WILL BE AS PER IS: 6477-1983 ,UNLESS OTHERWISE SPECIFIED

PARTY'S NAME

A.S.B. &amp; SONS, MADURAI

SCALE

1:1 &amp; 2:1

PARTY'S DRAWING No.

X-9128

WEIGHT kg/m

1.218

ALLOY &amp; TEMPER

HE9 WP

SECTION No.

20880

LENGTH

3658 mm. &amp; 2743 mm.

DRAWING No.

20880

DESCRIPTION

WINDOW SECTION