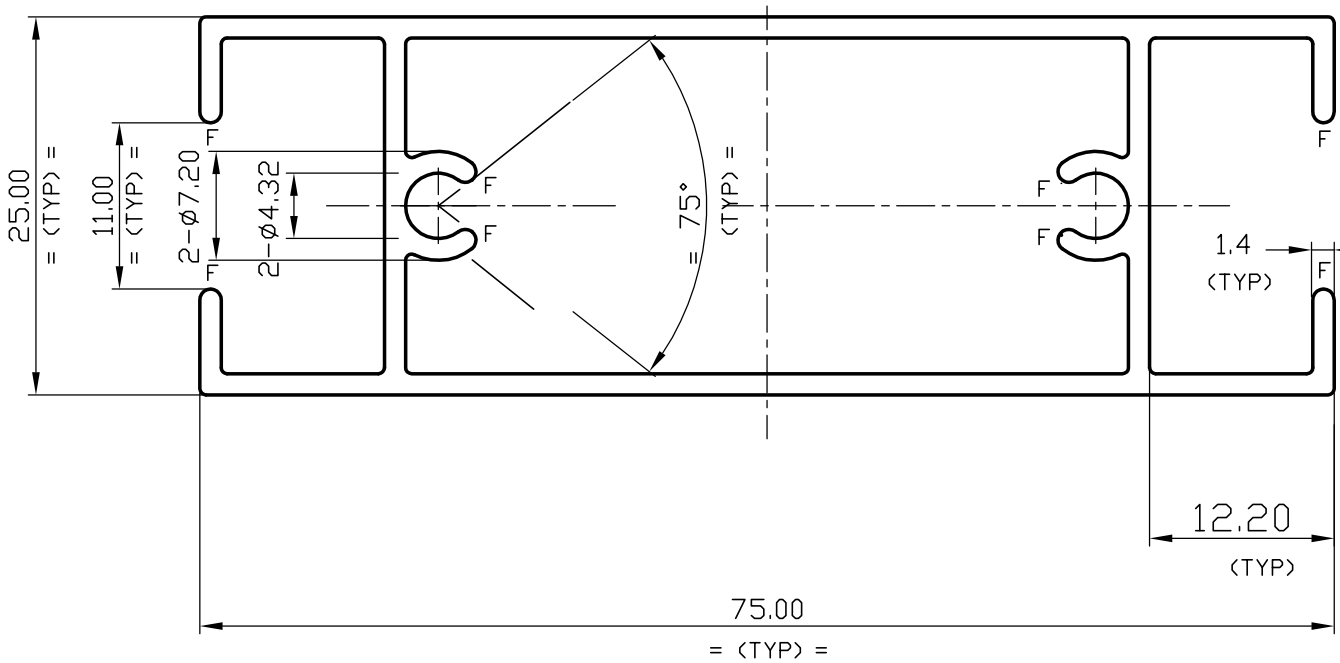



9326
12567
20922



1:1



GENERAL WALL THICKNESS 1.40 mm
No OFF PIECES IN 100 kgs 30 (AVERAGE)
F = RADII FULL (8)

 SYMBOL OF QUALITY AN ISO 9002 COMPANY	JINDAL ALUMINIUM LTD. BANGALORE-560073 (INDIA)		NAME	DATE
			DRAWN	RANGASWAMY 25-02-01
1. ALL DIMENSIONS ARE IN mm. 2. ROUND OFF ALL SHARP CORNERS WITH 0.40 mm. 3. TOLERANCES WILL BE AS PER IS:6477-1983 UNLESS OTHERWISE SPECIFIED			CHECKED	
			APPROVED	
PARTY'S NAME	GENERAL CATEGORY (MUMBAI MARKET)		SCALE	2:1
PARTY'S DRAWING No.	AS PER SAMPLE (WITH CORRECTION)		WEIGHT kg/m	0.925
ALLOY & TEMPER	HE9 WP	LENGTH: 3658 mm	SECTION No.	20922
DESCRIPTION	WINDOW SECTION		DRAWING No.	20922